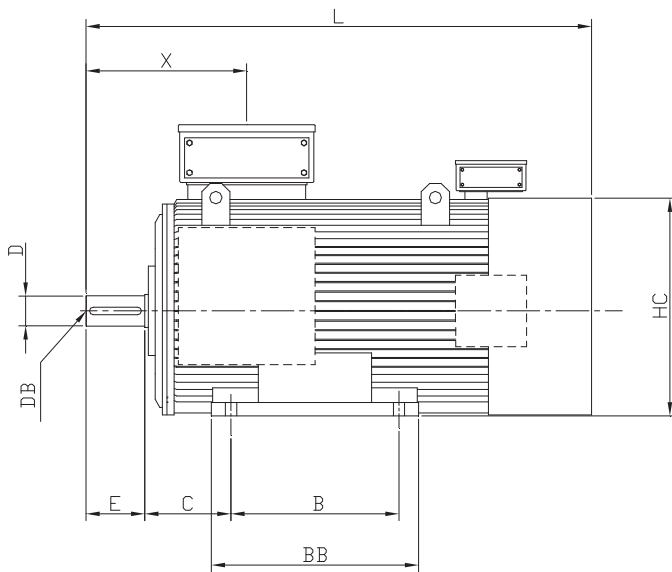


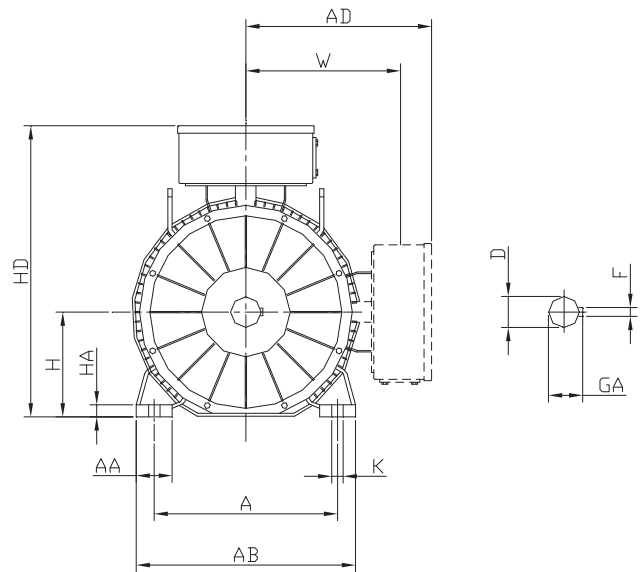
## Dimensioni d'ingombro

Forma B3 - Grandezza 400Lx÷500Lx  
Motori autoventilati (IC 411)



## Overall dimensions

Mounting B3 - Frame size 400Lx÷500Lx  
Self-ventilated motors (IC 411)



Tipo Type	Poli Poles	Dimensioni / Dimensions												
		A	AA	AB	AD	B	BB	C	H	HA	HC	HD	K	L
400Lxa	4-6-8	686	120	806	720 <sup>(1)</sup>	710	790	280	400	40	850	1120 <sup>(1)</sup>	33	1950
400Lxb					860 <sup>(2)</sup>							1260 <sup>(2)</sup>		2050
400Lxc					770 <sup>(1)</sup>							1220 <sup>(1)</sup>		2100
450Lxa		750	120	900	910 <sup>(2)</sup>	800	1000	315	450	45	938	1360 <sup>(2)</sup>	33	2200
450Lxb					830 <sup>(1)</sup>							1330 <sup>(1)</sup>		2360
500Lxa		850	150	950	970 <sup>(2)</sup>	900	1000	335	500	45	1035	1470 <sup>(2)</sup>	35	2260
500Lxb					830 <sup>(1)</sup>							1330 <sup>(1)</sup>		2360
500Lxc					970 <sup>(2)</sup>							1470 <sup>(2)</sup>		2360

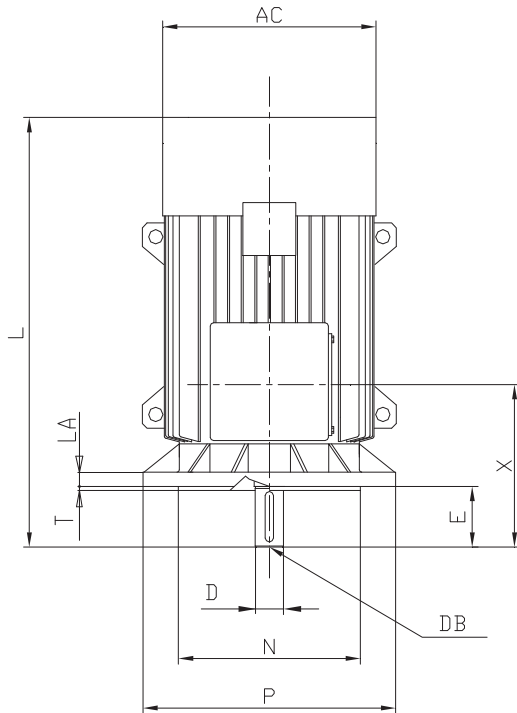
(1) Motore fornito con N. 3 morsetti  
(2) Motore fornito con N. 6 morsetti

(1) Motor supplied with No. 3 terminals  
(2) Motor supplied with No. 6 terminals

Tipo Type	Poli Poles	Albero L.A. / DE shaft				
		D	E	F	GA	DB
400Lxa	4-6-8	110 m6	210	28	116	-
400Lxb						
400Lxc						
450Lxa	4-6-8	110 m6	210	28	116	-
450Lxb						
500Lxa	4-6-8	130 m6	250	32	137	-
500Lxb						
500Lxc						

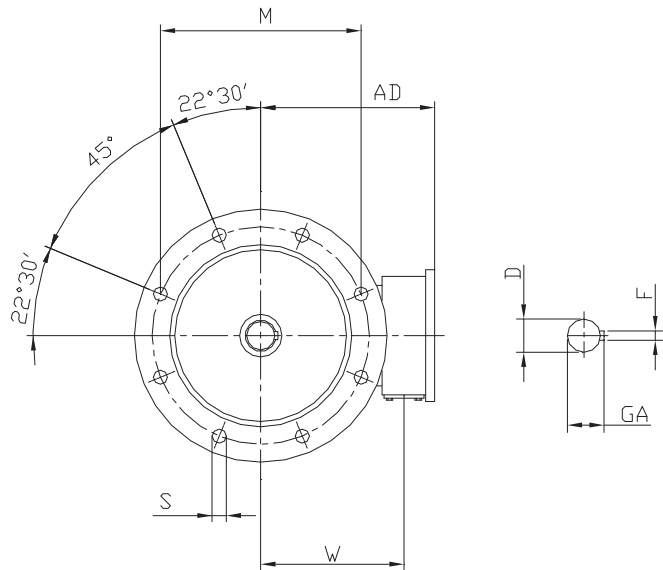
## Dimensioni d'ingombro

Forma V1 - Grandezza 400Lx÷500Lx  
Motori autoventilati (IC 411)



## Overall dimensions

Mounting V1 - Frame size 400Lx÷500Lx  
Self-ventilated motors (IC 411)



Tipo Type	Poli Poles	Dimensioni / Dimensions								
		AC	AD	L	LA	M	N	P	S	T
400Lxa	4-6-8	880		1950	28	940	880 h6	1000	N.8 x 28	6
400Lxb			720 <sup>(1)</sup>	2050						
400Lxc			860 <sup>(2)</sup>	2050						
450Lxa		975		2100	28	940	880 h6	1000	N.8 x 28	6
450Lxb			770 <sup>(1)</sup>	2200						
500Lxa		1075		2260	28	940	880 h6	1000	N.8 x 28	6
500Lxb			830 <sup>(1)</sup>	2360						
500Lxc			970 <sup>(2)</sup>	2360						

(1) Motore fornito con N.3 morsetti

(2) Motore fornito con N.6 morsetti

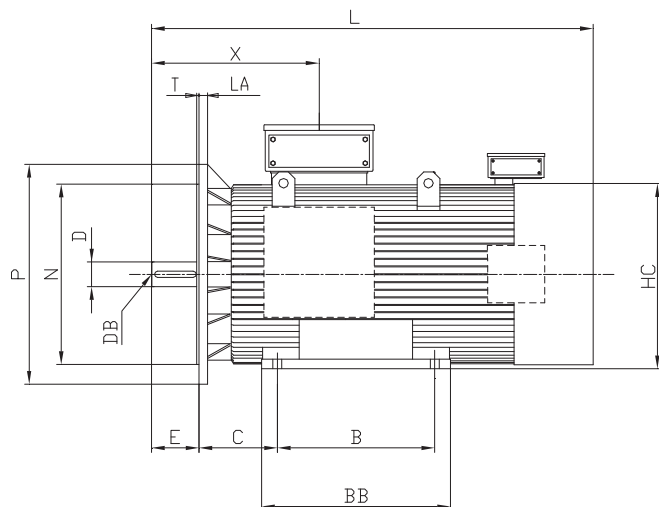
(1) Motor supplied with No.3 terminals

(2) Motor supplied with No.6 terminals

Tipo Type	Poli Poles	Albero L.A. / DE shaft				
		D	E	F	GA	DB
400Lxa	4-6-8	110 m6	210	28	116	-
400Lxb						
400Lxc						
450Lxa	4-6-8	110 m6	210	28	116	-
450Lxb						
500Lxa	4-6-8	130 m6	250	32	137	-

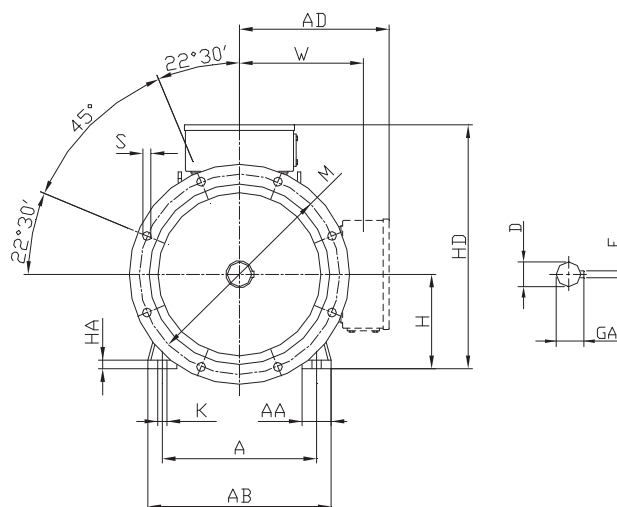
## Dimensioni d'ingombro

Forma B3/B5 - Grandezza 400Lx÷500Lx  
Motori autoventilati (IC 411)



## Overall dimensions

Mounting B3/B5 - Frame size 400Lx÷500Lx  
Self-ventilated motors (IC 411)



Tipo Type	Poli Poles	Dimensioni / Dimensions												
		A	AA	AB	AD	B	BB	C	H	HA	HC	HD	K	L
400Lxa	4-6-8	686	120	806	720 <sup>(1)</sup>	710	790	280	400	40	850	1120 <sup>(1)</sup>	33	1950
400Lxb					860 <sup>(2)</sup>									2050
400Lxc					770 <sup>(1)</sup>									1260 <sup>(2)</sup>
450Lxa		750	120	900	910 <sup>(2)</sup>	800	1000	315	450	45	938	1220 <sup>(1)</sup>	33	2100
450Lxb					1360 <sup>(2)</sup>									2200
500Lxa		850	150	950	830 <sup>(1)</sup>	900	1000	335	500	45	1035	1330 <sup>(1)</sup>	35	2260
500Lxb					970 <sup>(2)</sup>									2360
500Lxc					1470 <sup>(2)</sup>									2360

(1) Motore fornito con N.3 morsetti

(2) Motore fornito con N.6 morsetti

(1) Motor supplied with No.3 terminals

(2) Motor supplied with No.6 terminals

Tipo Type	Poli Poles	Flangia B5 / Flange B5						Albero L.A. / DE shaft				
		LA	M	N	P	S	T	D	E	F	GA	DB
400Lxa	4-6-8	28	940	880 h6	1000	N.8 x 28	6	110 m6	210	28	116	-
400Lxb												
400Lxc												
450Lxa	4-6-8	28	940	880 h6	1000	N.8 x 28	6	110 m6	210	28	116	-
450Lxb												
500Lxa	4-6-8	28	940	880 h6	1000	N.8 x 28	6	130 m6	250	32	137	-
500Lxb												
500Lxc												