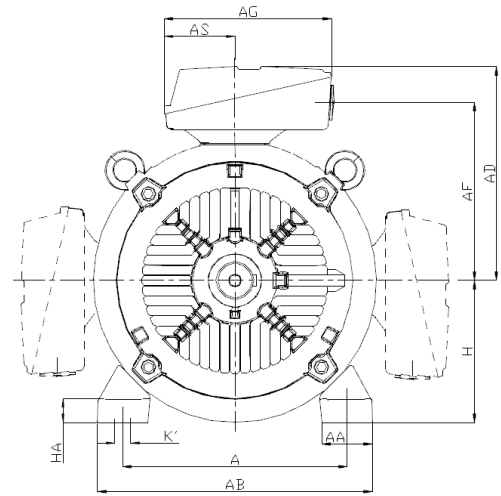
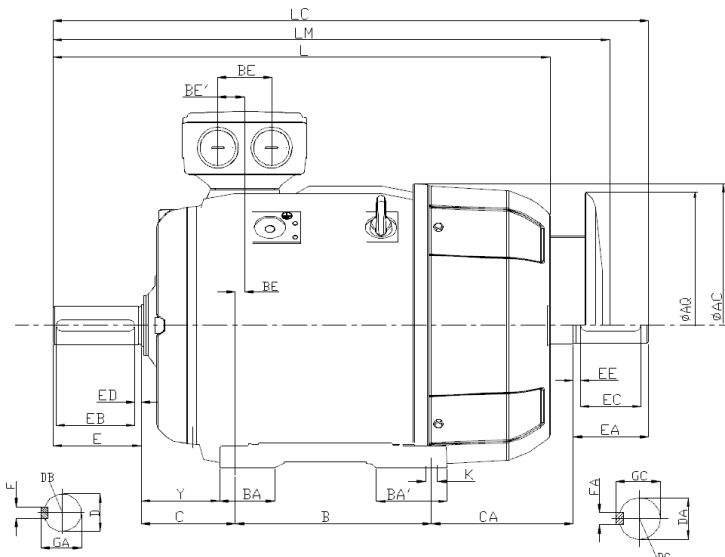
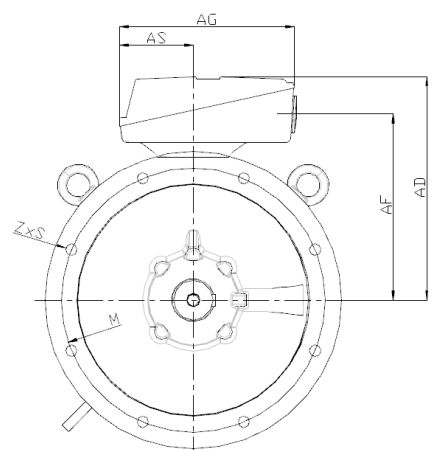
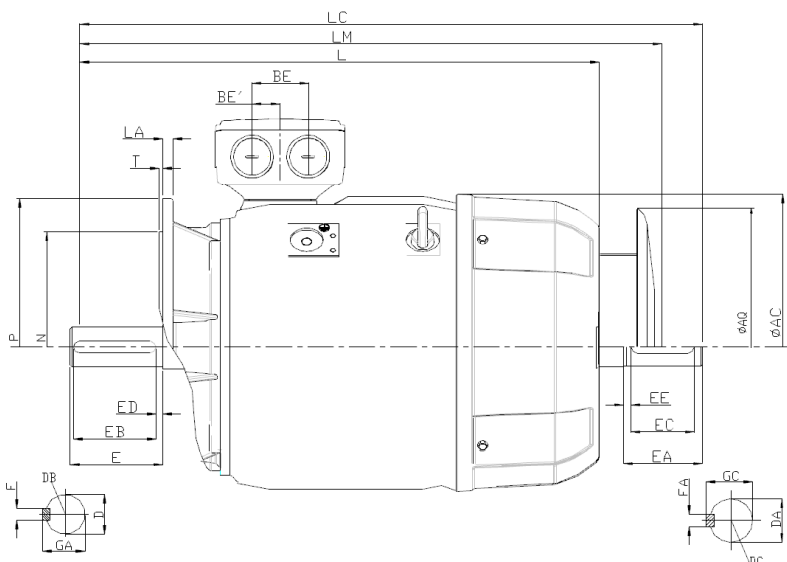


DIM 1TZ9 - Maße Baugröße 200 dimensions frame size 200

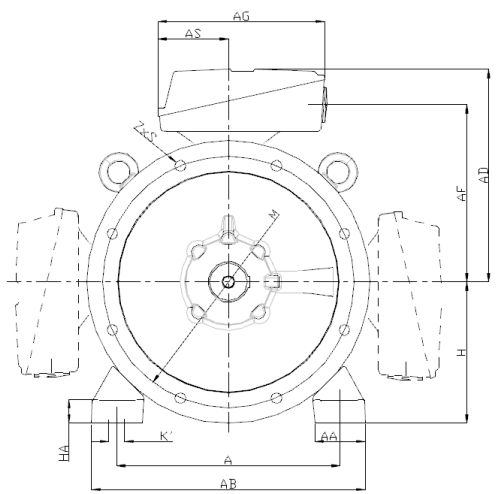
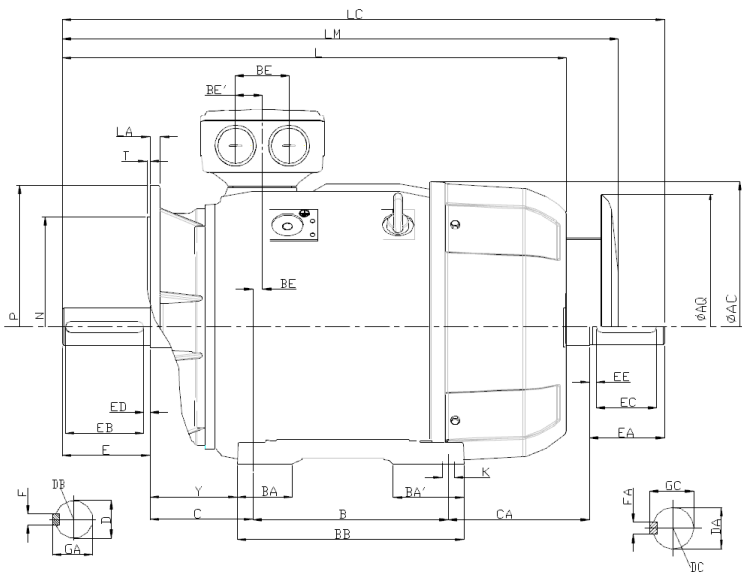
200 Fußbaformen *feet type of construction*



Flanschbaformen *flange type of construction*



Fuß- Flanschbaformen *feet / flange type of construction*



IEC Käfigläufermotoren *IEC squirrel-cage-motors*

Eigengekühlte Energiespartmotoren *self-ventilated energy saving motors*

Gehäuse frame	AC	AD	AD'	AF	AG	AH	AS	BE	BE'	H	HH	L1	D1	LL
200 L	396	315	315	258,5	265		112	85	42,5	200	164	-	-	197

**DIM
200**

FüÙe feet	A	AA	AB	B	BA	BA'	BB	BC	C	HA	K	K'	Y
200 L	318	70	378	305	104	104	355	31	133	25	19	25	108

Flansch flange	LA	M	N	P	S	T	Z
B5	15	350	300	400	18,5	5	4
B14a	-	-	-	-	-	-	-
B14b	-	-	-	-	-	-	-

Schutzdach canopy (optional) AQ

340

Welle shaft	D/DA	DB/DC	E/EA	EB/EC	ED/EE	F/FA	GA/GC
A-Seite DE	55 m6	M20	110	100	5	16	59
B-Seite NDE (optional)	55 m6	M20	110	100	5	16	59

LängenmaÙe *length dimensions*

Pole	Leistung	Baugröße	Eff	Type	L	LC	CA	LM
<i>pole</i>	<i>power</i>	<i>frame size</i>	<i>eff</i>	<i>type</i>				
2	30	200 L	IE2	1TZ9501-2AA4	721	835	177	811
2	30	200 L	IE3	1TZ9503-2AA4	721	835	177	811
2	30	200 L	IE4	1TZ9504-2AA4	746	860	202	836
2	37	200 L	IE2	1TZ9501-2AA5	721	835	177	811
2	37	200 L	IE3	1TZ9503-2AA5	746	860	202	836
2	37	200 L	IE4	1TZ9504-2AA5	746	860	202	836
2	45	200 L	IE2	1TZ9501-2AA6	746	860	202	836
2	45	200 L	IE3	1TZ9503-2AA6	746	860	202	836
4	30	200 L	IE2	1TZ9501-2AB5	721	835	177	811
4	30	200 L	IE3	1TZ9503-2AB5	746	860	202	836
4	30	200 L	IE4	1TZ9504-2AB5	746	860	202	836
4	37	200 L	IE2	1TZ9501-2AB6	746	860	202	836
4	37	200 L	IE3	1TZ9503-2AB6	746	860	202	836
6	18,5	200 L	IE2	1TZ9501-2AC4	721	835	177	811
6	18,5	200 L	IE3	1TZ9503-2AC4	721	835	177	811
6	22	200 L	IE2	1TZ9501-2AC5	721	835	177	811
6	22	200 L	IE3	1TZ9503-2AC5	746	860	202	836
6	30	200 L	IE2	1TZ9501-2AC6	746	860	202	836
8	15	200 L	IE1	1TZ9502-2AD5	721	835	177	811
8	15	200 L	IE2	1TZ9501-2AD5	721	835	177	811
8	15	200 L	IE3	1TZ9503-2AD5	746	860	202	836
8	18,5	200 L	IE1	1TZ9502-2AD6	746	860	202	836
8	18,5	200 L	IE2	1TZ9501-2AD6	746	860	202	836