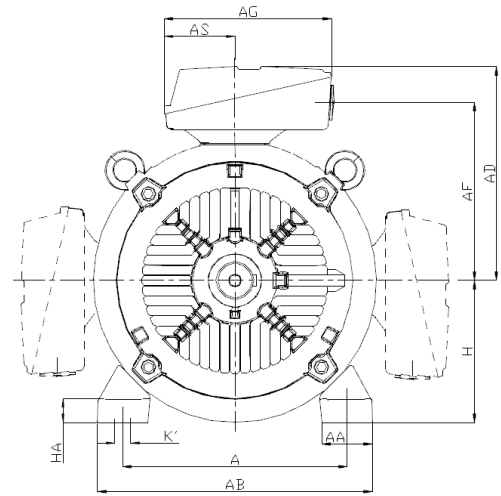
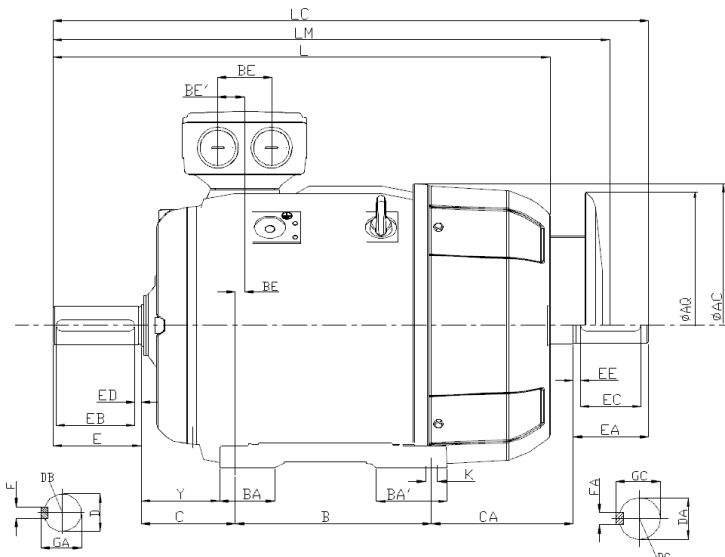
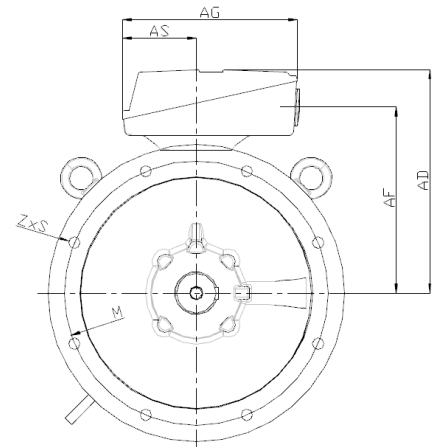
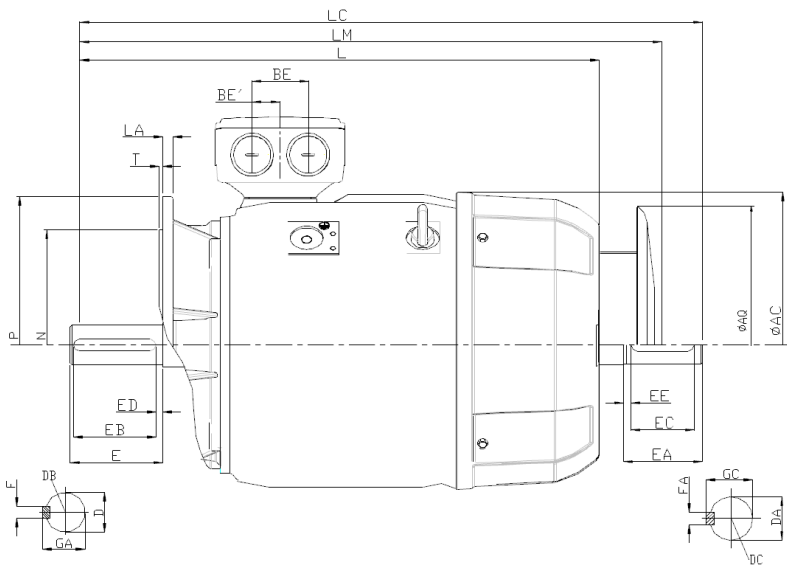


DIM1TZ9 - Maße Baugröße 225 dimensions frame size 225

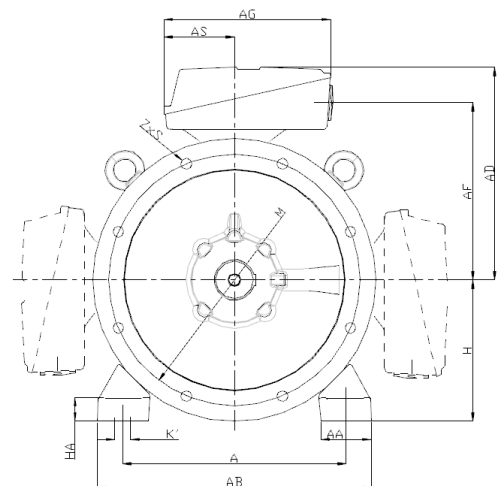
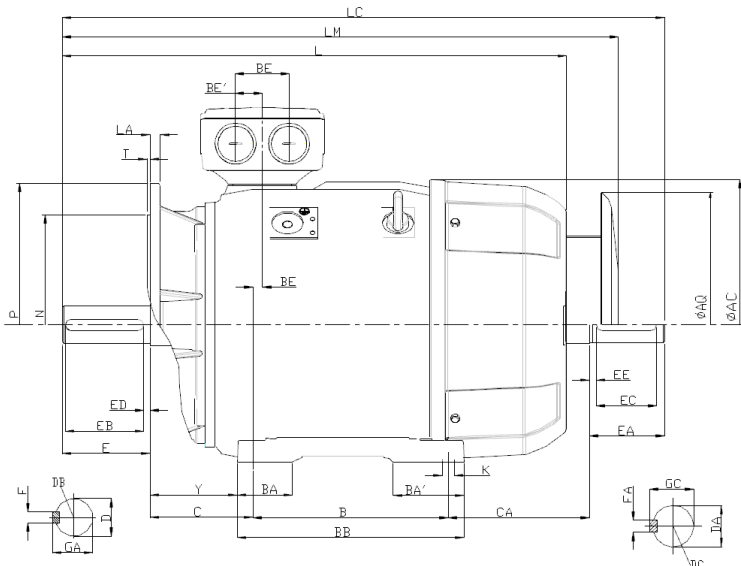
225 Fußbaformen *feet type of construction*



Flanschbaformen *flange type of construction*



Fuß- Flanschbaformen *feet / flange type of construction*



IEC Käfigläufermotoren *IEC squirrel-cage-motors*

Eigengekühlte Energiespartmotoren *self-ventilated energy saving motors*

Gehäuse frame	AC	AD	AD'	AF	AG	AH	AS	BE	BE'	H	HH	L1	D1	LL
225 S/M	449	338	338	282	266	556	112	85	43	225	164	-	-	197

DIM
225

FüÙe feet	A	AA	AB	B	BA	BA'	BB	BC	C	HA	K	K'	Y
225 S	356	80	436	286	92	117	361	15	149	34	19	25	124
225 M	311												

Flansch flange	LA	M	N	P	S	T	Z	Schutzdach canopy (optional) AQ
B5	16	400	350	450	18,5	5	8	425
B14a	-	-	-	-	-	-	-	
B14b	-	-	-	-	-	-	-	

Welle shaft	Pole	D/DA	DB/DC	E/EA	EB/EC	ED/EE	F/FA	GA/GC
A-Seite DE	2	55 m6	M20	110	100	5	16	59
	4,6,8	60 m6	M20	140	125	10	18	64
B-Seite NDE (optional)	2	48 k6	M16	110	100	5	14	52
	4,6,8	55 m6	M20	110	100	5	16	59

LängenmaÙe length dimensions									
Pole	Leistung	Baugröße	Eff	Type					
<i>pole</i>	<i>power</i>	<i>frame size</i>	<i>eff</i>	<i>type</i>	L	LC	CA	LM	
2	45	225 M	IE2	1TZ9501-2BA2	818	933	253	918	
2	45	225 M	IE3	1TZ9503-2BA2	818	933	253	918	
2	45	225 M	IE4	1TZ9504-2BA2	818	933	253	918	
2	55	225 M	IE2	1TZ9501-2BA6	818	933	253	918	
2	55	225 M	IE3	1TZ9503-2BA6	898	933	253	998	
4	37	225 S	IE2	1TZ9501-2BB0	788	903	218	888	
4	37	225 S	IE3	1TZ9503-2BB0	788	903	218	888	
4	37	225 S	IE4	1TZ9504-2BB0	848	963	278	948	
4	45	225 M	IE2	1TZ9501-2BB2	848	963	253	948	
4	45	225 M	IE3	1TZ9503-2BB2	848	963	253	948	
4	45	225 M	IE4	1TZ9504-2BB2	928	963	253	1028	
4	55	225 M	IE2	1TZ9501-2BB6	848	963	253	948	
4	55	225 M	IE3	1TZ9503-2BB6	928	963	253	1028	
6	30	225 M	IE2	1TZ9501-2BC2	848	963	253	948	
6	30	225 M	IE3	1TZ9503-2BC2	848	963	253	948	
6	37	225 M	IE2	1TZ9501-2BC6	848	963	253	948	
6	37	225 M	IE3	1TZ9503-2BC6	928	963	253	1028	
8	18,5	225 S	IE1	1TZ9502-2BD0	788	903	218	888	
8	18,5	225 S	IE2	1TZ9501-2BD0	788	903	218	888	
8	18,5	225 S	IE3	1TZ9503-2BD0	788	903	218	888	
8	22	225 M	IE1	1TZ9502-2BD2	788	903	193	888	
8	22	225 M	IE2	1TZ9501-2BD2	848	963	253	948	
8	22	225 M	IE3	1TZ9503-2BD2	848	963	253	948	
8	30	225 M	IE1	1TZ9502-2BD6	848	963	253	948	
8	30	225 M	IE2	1TZ9501-2BD6	848	963	253	948	