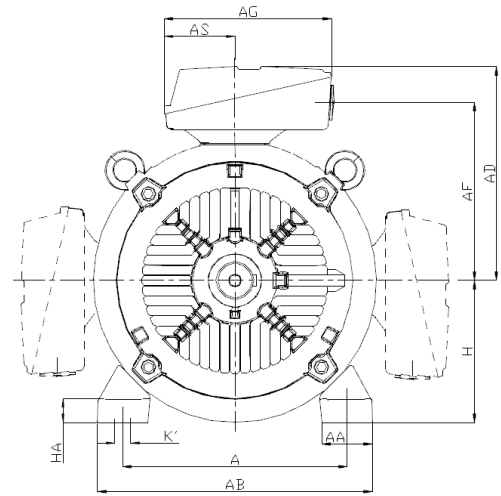
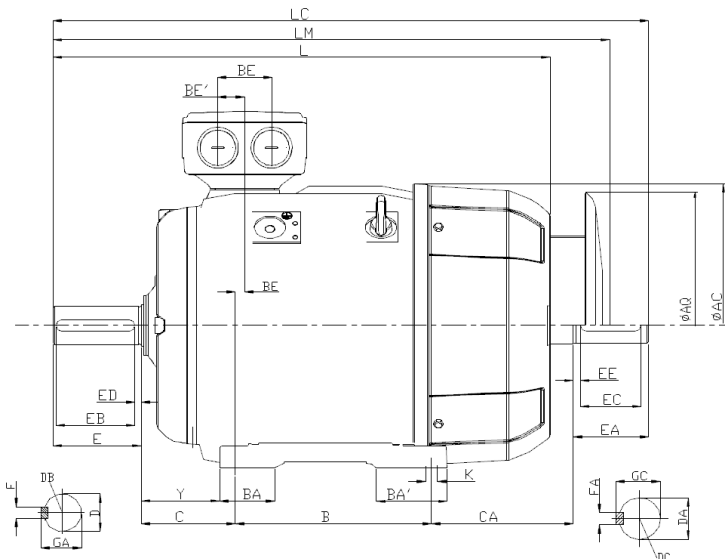
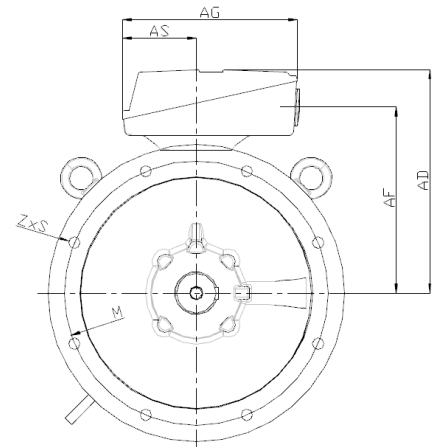
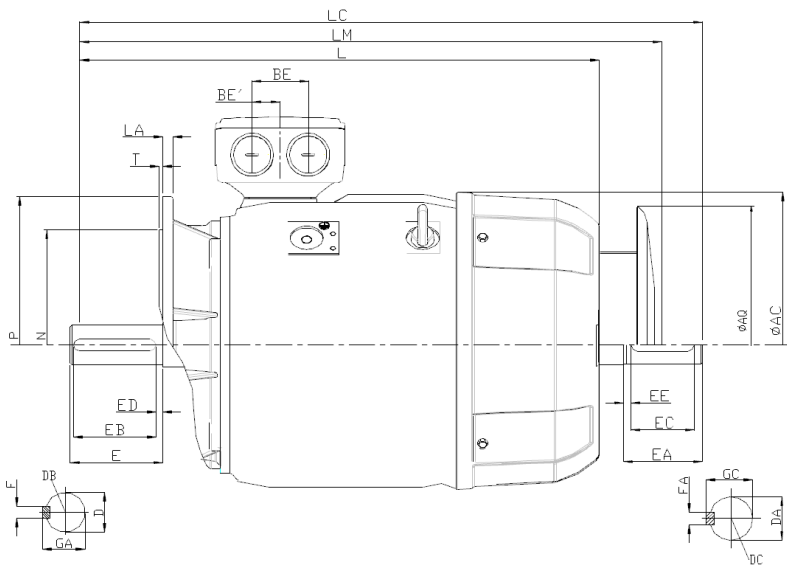


DIM 1TZ9 - Maße Baugröße 250 dimensions frame size 250

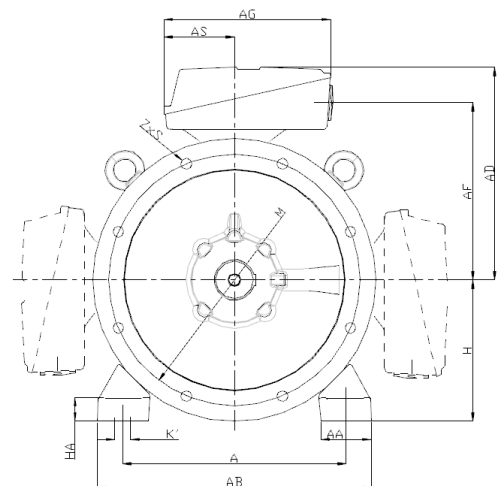
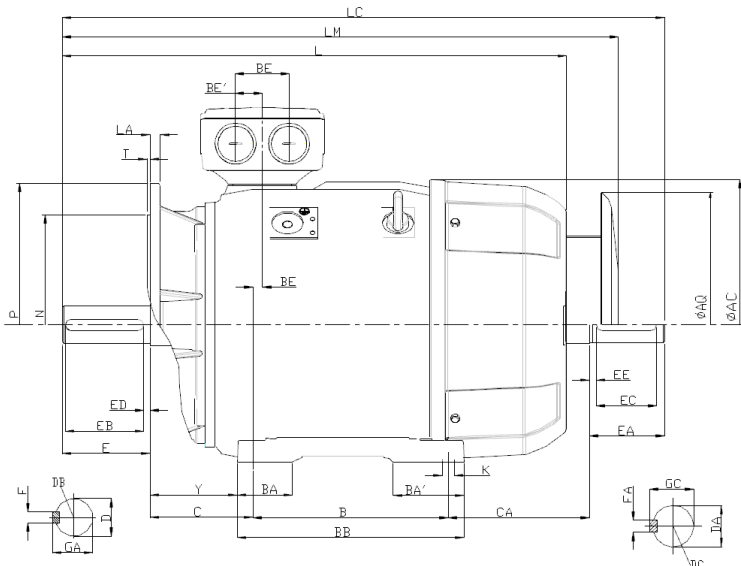
250 Fußbaformen *feet type of construction*



Flanschbaformen *flange type of construction*



Fuß- Flanschbaformen *feet / flange type of construction*



IEC Käfigläufermotoren *IEC squirrel-cage-motors*

Eigengekühlte Energiespartmotoren *self-ventilated energy saving motors*

Gehäuse frame	AC	AD	AD'	AF	AG	AH	AS	BE	BE'	H	HH	L1	D1	LL	DIM 250
250 M	497	410	410	322	319	620	145	110	55	250	192	-	-	233	

FüÙe feet	A	AA	AB	B	BA	BA'	BB	BC	C	HA	K	K'	Y
250 M	406	100	490	349	102	102	409	24	168	40	24	30	138

Flansch flange	LA	M	N	P	S	T	Z	Schutzdach canopy (optional) AQ
B5	18	500	450	550	18,5	5	8	470
B14a	-	-	-	-	-	-	-	
B14b	-	-	-	-	-	-	-	

Welle shaft	Pole	D/DA	DB/DC	E/EA	EB/EC	ED/EE	F/FA	GA/GC
A-Seite DE	2	60	M20	140	125	10	18	64
	4,6,8	65	M20	140	125	10	18	69
B-Seite NDE (optional)	2	55	M20	110	100	5	16	59
	4,6,8	60	M20	140	125	10	18	64

LängenmaÙe length dimensions									
Pole	Leistung	Baugröße	Eff	Type					
<i>pole</i>	<i>power</i>	<i>frame size</i>	<i>eff</i>	<i>type</i>	L	LC	CA	LM	
2	55	250 M	IE2	1TZ9501-2CA2	887	1002	235	987	
2	55	250 M	IE3	1TZ9503-2CA2	887	1002	235	987	
2	55	250 M	IE4	1TZ9504-2CA2	887	1002	235	987	
2	75	250 M	IE2	1TZ9501-2CA6	887	1002	235	987	
2	75	250 M	IE3	1TZ9503-2CA6	957	1072	305	1057	
4	55	250 M	IE2	1TZ9501-2CB2	887	1032	235	987	
4	55	250 M	IE3	1TZ9503-2CB2	887	1032	235	987	
4	55	250 M	IE4	1TZ9504-2CB2	957	1102	305	1057	
4	75	250 M	IE2	1TZ9501-2CB6	957	1102	305	1057	
4	75	250 M	IE3	1TZ9503-2CB6	957	1102	305	1057	
6	37	250 M	IE2	1TZ9501-2CC2	887	1032	235	987	
6	37	250 M	IE3	1TZ9503-2CC2	887	1032	235	987	
6	45	250 M	IE2	1TZ9501-2CC6	887	1032	235	987	
6	45	250 M	IE3	1TZ9503-2CC6	957	1102	305	1057	
8	30	250 M	IE1	1TZ9502-2CD2	887	1032	235	987	
8	30	250 M	IE2	1TZ9501-2CD2	887	1032	235	987	
8	30	250 M	IE3	1TZ9503-2CD2	887	1032	235	987	
8	37	250 M	IE1	1TZ9502-2CD6	887	1032	235	987	
8	37	250 M	IE2	1TZ9501-2CD6	887	1032	235	987	