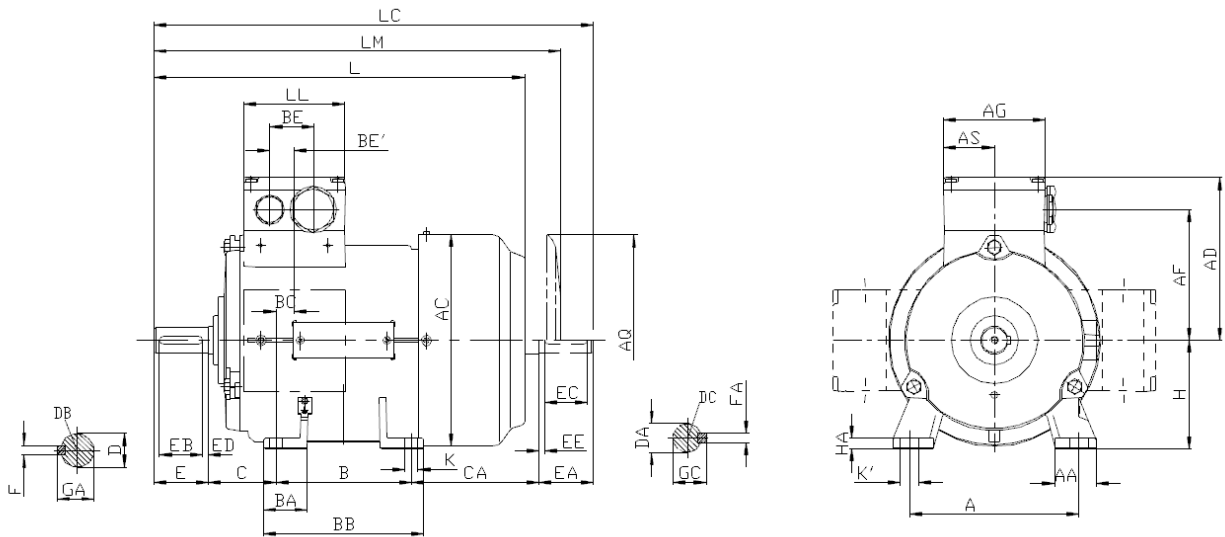


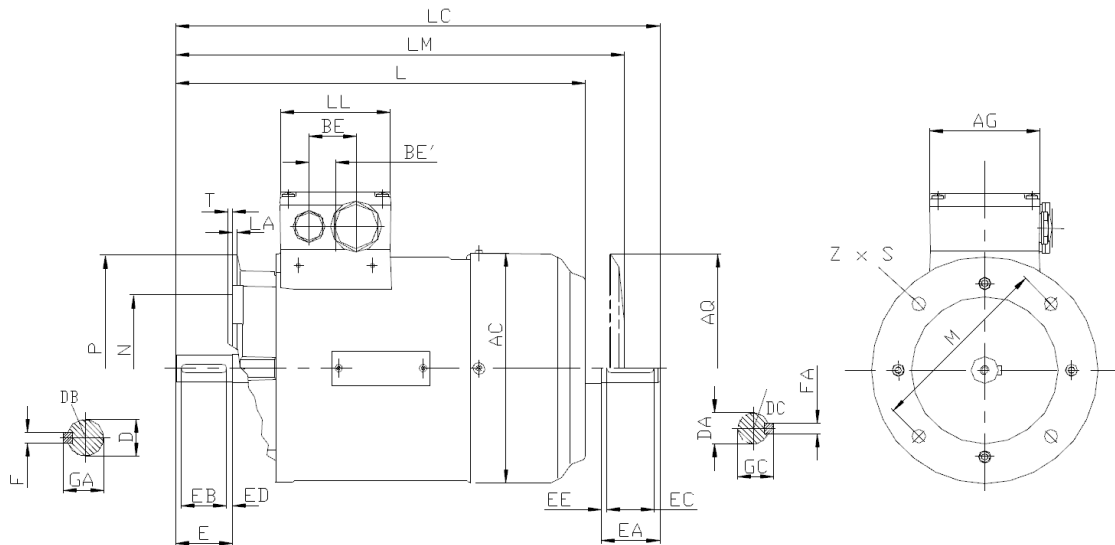
DIM1TZ9 - Maße Baugröße 71 dimensions frame size 71

71

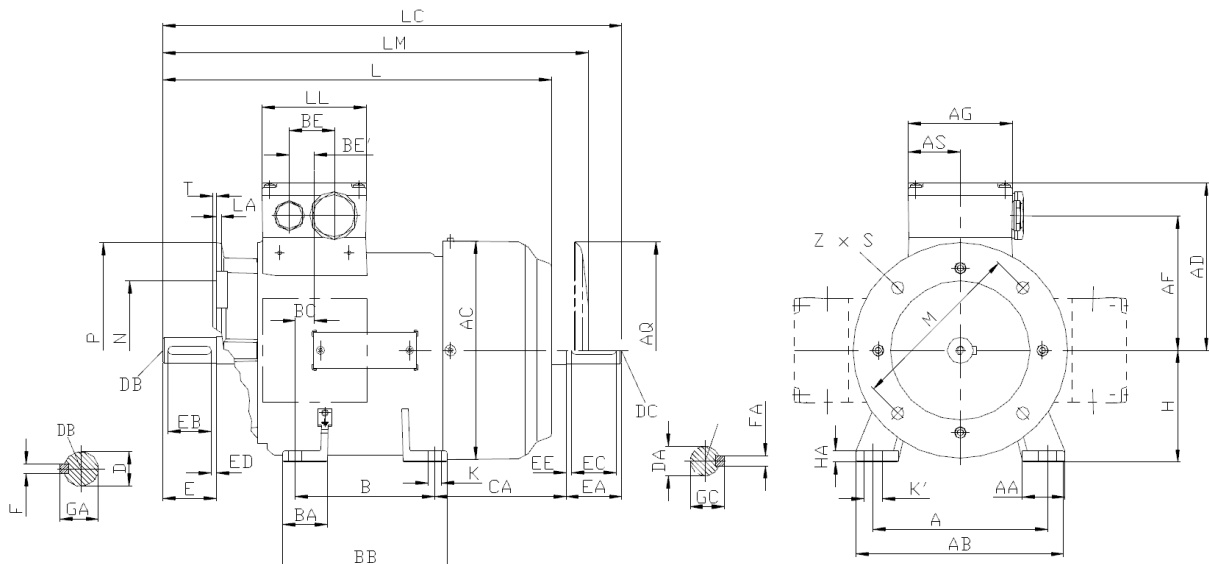
Fußbaufornen *feet type of construction*



Flanschbauformen *flange type of construction*



Fuß- Flanschbauformen *feet / flange type of construction*



IEC Käfigläufermotoren *IEC squirrel-cage-motors*

Eigengekühlte Energiespartmotoren *self-ventilated energy saving motors*

<i>Gehäuse frame</i>	AC	AD	AD'	AF	AG	AH	AS	BE	BE'	H	HH	L1	D1	LL
71 M	145	111	111	88	75	-	38	32	18	71	64	-	-	75
<i>FüÙe feet</i>	A	AA	AB	B	BA	BA'	BB	BC	C	HA	K	K'	Y	
71 M	112	30,5	132	90	27	-	106	18	45	7	7	10	-	
<i>Flansch flange</i>	LA	M	N	P	S	T	Z	<i>Schutzdach canopy (optional) AQ</i>						
B5	9	130	110	160	10	3,5	4	127						
B14a	-	85	70	105	M6	2,5	4							
B14b	-	115	95	140	M8	3	4							
<i>Welle shaft</i>	D/DA	DB/DC	E/EA	EB/EC	ED/EE	F/FA	GA/GC							
A-Seite DE	14 j6	M5	30	22	4	5	16							
B-Seite NDE (optional)	14 j6	M5	30	22	4	5	16							

DIM
71

<i>Längen Standardmotoren length standard motors</i>								
Pole	Leistung	Baugr.	Eff	Type	L	LC	CA	LM
<i>pole</i>	<i>power</i>	<i>frame</i>	<i>eff</i>	<i>type</i>				
2	0,37	71 M	IE1	1TZ9002-0CA2	240	278	83	268
2	0,37	71 M	IE2	1TZ9001-0CA2	240	278	83	268
2	0,55	71 M	IE1	1TZ9002-0CA3	240	278	83	268
2	0,55	71 M	IE2	1TZ9001-0CA3	240	278	83	268
4	0,25	71 M	IE1	1TZ9002-0CB2	240	278	83	268
4	0,25	71 M	IE2	1TZ9001-0CB2	240	278	83	268
4	0,37	71 M	IE1	1TZ9002-0CB3	240	278	83	268
4	0,37	71 M	IE2	1TZ9001-0CB3	240	278	83	268
4	0,55	71 M	IE1	1TZ9002-0CB6	240	278	83	268
6	0,18	71 M	IE1	1TZ9002-0CC2	240	278	83	268
6	0,25	71 M	IE1	1TZ9002-0CC3	240	278	83	268
8	0,09	71 M	IE1	1TZ9002-0CD2	240	278	83	268
8	0,12	71 M	IE1	1TZ9002-0CD3	240	278	83	268

<i>Längen polumschaltbare Motoren length pole changing motors</i>								
Pole	Leist.	Baugr.	Type	L	LC	CA	LM	
<i>pole</i>	<i>power</i>	<i>frame</i>	<i>type</i>					
4/2	0,21/0,28	71 M	1TZ9011-0CJ2	240	278	83	268	
4/2	0,3/0,43	71 M	1TZ9011-0CJ3	240	278	83	268	