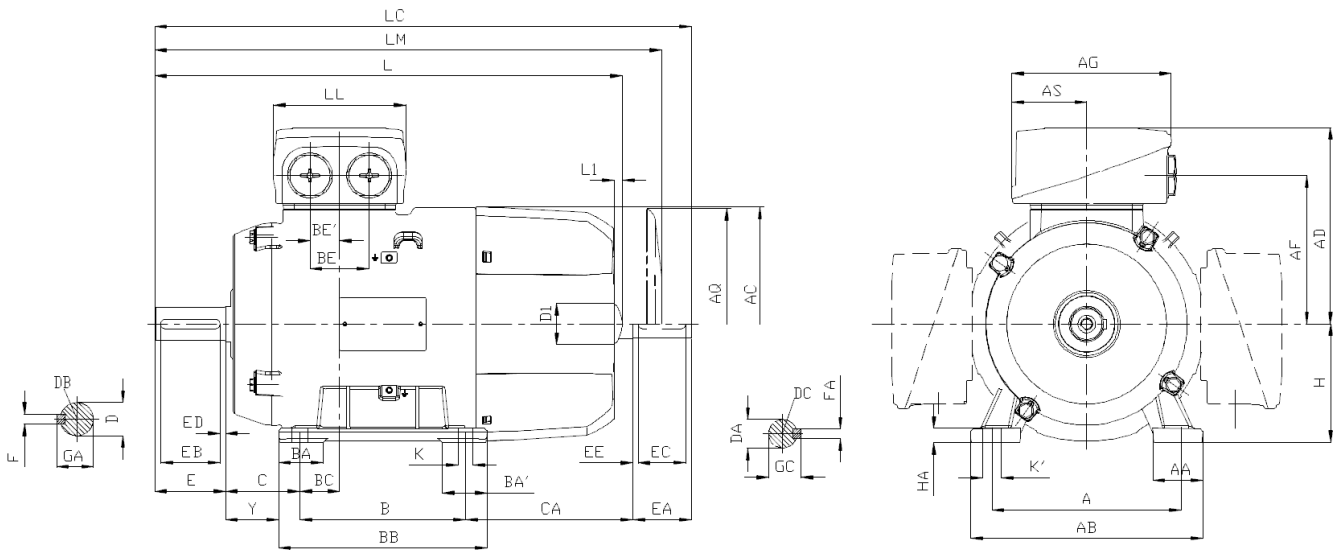


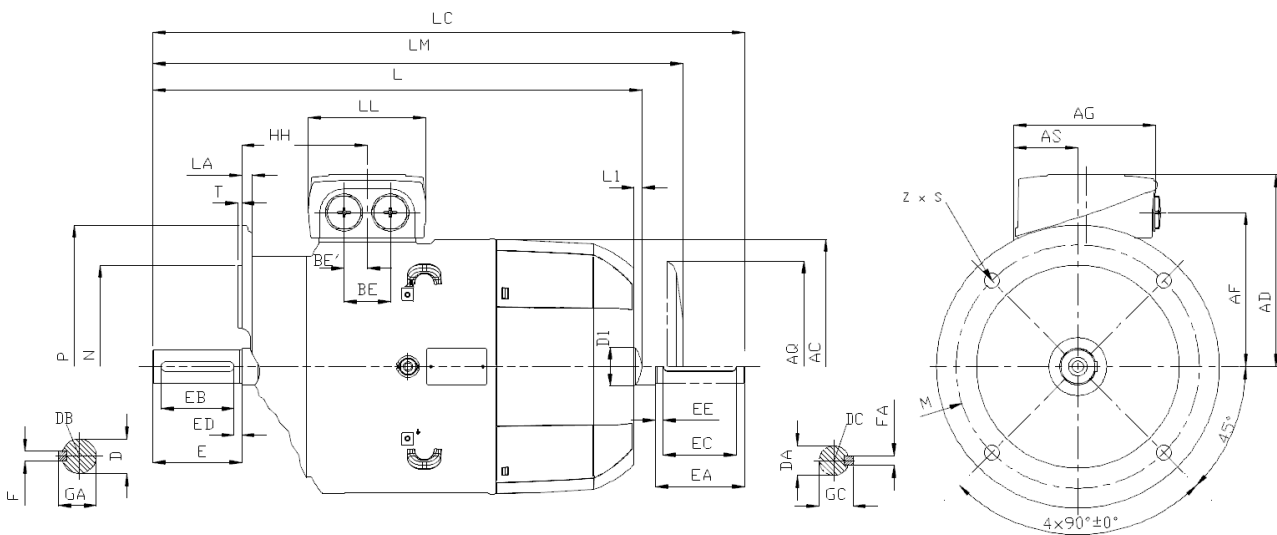
DIM 1TZ9 - Maße Baugröße 90 dimensions frame size 90

90

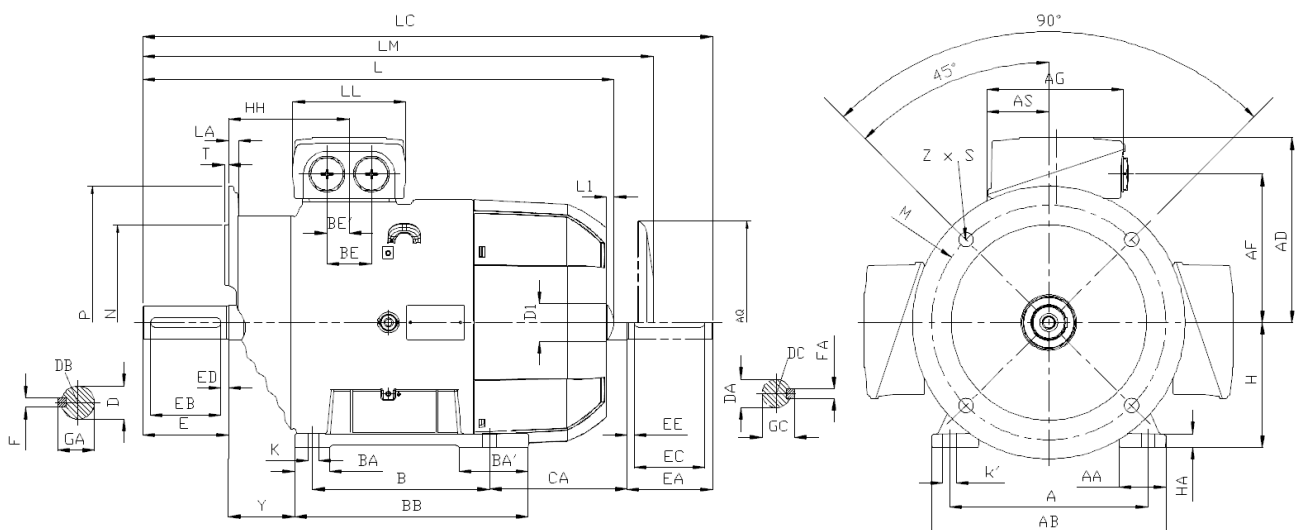
Fußbauformen *feet type of construction*



Flanschbauformen *flange type of construction*



Fuß- Flanschbauformen *feet / flange type of construction*



IEC Käfigläufermotoren *IEC squirrel-cage-motors*

Eigengekühlte Energiespartmotoren *self-ventilated energy saving motors*

| Gehäuse frame | AC | AD | AD' | AF | AG | AH | AS | BE | BE' | H | HH | L1 | D1 | LL |
|---------------|-----|-----|-----|-------|----|----|----|----|-----|----|----|----|----|----|
| 90 S/L | 178 | 126 | - | 101,5 | 93 | - | 43 | - | 18 | 90 | 79 | - | - | 79 |

| FüÙe feet | A | AA | AB | B | BA | BA' | BB | BC | C | HA | K | K' | Y |
|-----------|-----|------|-----|-----|----|-----|-----|------|----|----|----|----|----|
| 90 S | 140 | 30,5 | 165 | 100 | 33 | - | 143 | 22,5 | 56 | 10 | 10 | 14 | 47 |
| 90 L | | | | 125 | | | | | | | | | |

| Flansch flange | LA | M | N | P | S | T | Z |
|----------------|----|-----|-----|-----|----|-----|---|
| B5 | 10 | 165 | 130 | 200 | 12 | 3,5 | 4 |
| B14a | - | 115 | 95 | 140 | M8 | 3 | 4 |
| B14b | - | 130 | 110 | 160 | M8 | 3,5 | 4 |

Schutzdach canopy (optional) AQ

155

DIM
90

Längen Standardmotoren *length standard motors*

| Pole | Leistung | Baugr. | Eff | Type | L | LC | CA | LM |
|-------------|--------------|--------------|------------|--------------|-----|-----|-----|-----|
| <i>pole</i> | <i>power</i> | <i>frame</i> | <i>eff</i> | <i>type</i> | | | | |
| 2 | 1,5 | 90 S | IE2 | 1TZ9001-0EA0 | 347 | 405 | 159 | 383 |
| 2 | 1,5 | 90 S | IE3 | 1TZ9003-0EA0 | 347 | 405 | 159 | 383 |
| 2 | 2,2 | 90 L | IE2 | 1TZ9001-0EA4 | 347 | 405 | 134 | 383 |
| 2 | 2,2 | 90 L | IE3 | 1TZ9003-0EA4 | 387 | 445 | 174 | 423 |
| 2 | 3 | 90 L | IE2 | 1TZ9001-0EA6 | 387 | 445 | 174 | 423 |
| 4 | 1,1 | 90 S | IE2 | 1TZ9001-0EB0 | 347 | 405 | 159 | 383 |
| 4 | 1,1 | 90 S | IE3 | 1TZ9003-0EB0 | 347 | 405 | 159 | 383 |
| 4 | 1,5 | 90 L | IE2 | 1TZ9001-0EB4 | 347 | 405 | 134 | 383 |
| 4 | 1,5 | 90 L | IE3 | 1TZ9003-0EB4 | 387 | 445 | 174 | 423 |
| 4 | 2,2 | 90 L | IE2 | 1TZ9001-0EB6 | 387 | 445 | 174 | 423 |
| 6 | 0,75 | 90 S | IE2 | 1TZ9001-0EC0 | 347 | 405 | 159 | 383 |
| 6 | 0,75 | 90 S | IE3 | 1TZ9003-0EC0 | 347 | 405 | 159 | 383 |
| 6 | 1,1 | 90 L | IE2 | 1TZ9001-0EC4 | 347 | 405 | 134 | 383 |
| 6 | 1,1 | 90 L | IE3 | 1TZ9003-0EC4 | 387 | 445 | 174 | 423 |
| 8 | 0,37 | 90 S | IE2 | 1TZ9001-0ED0 | 347 | 405 | 159 | 383 |
| 8 | 0,55 | 90 L | IE2 | 1TZ9001-0ED4 | 347 | 405 | 134 | 383 |

Längen polumschaltbare Motoren *length pole changing motors*

| Pole | Leist. | Baugr. | Type | L | LC | CA | LM |
|-------------|--------------|--------------|--------------|-----|-----|-----|-----|
| <i>pole</i> | <i>power</i> | <i>frame</i> | <i>type</i> | | | | |
| 4/2 | 1,1/1,4 | 90 S | 1TZ9011-0EJ0 | 347 | 405 | 159 | 383 |
| 4/2 | 1,5/1,9 | 90 L | 1TZ9011-0EJ4 | 347 | 405 | 159 | 383 |
| 4/2 | 0,33/1,4 | 90 S | 1TZ9011-0EP0 | 347 | 405 | 134 | 383 |
| 4/2 | 0,5/2 | 90 L | 1TZ9011-0EP4 | 347 | 405 | 134 | 383 |
| 6/4 | 0,29/0,8 | 90 S | 1TZ9012-0EQ0 | 347 | 405 | 159 | 383 |
| 6/4 | 0,38/1,1 | 90 L | 1TZ9012-0EQ4 | 347 | 405 | 159 | 383 |
| 8/4 | 0,35/0,5 | 90 S | 1TZ9011-0EL0 | 347 | 405 | 159 | 383 |
| 8/4 | 0,5/0,7 | 90 L | 1TZ9011-0EL4 | 347 | 405 | 159 | 383 |
| 8/4 | 0,22/1 | 90 S | 1TZ9011-0ER0 | 347 | 405 | 134 | 383 |
| 8/4 | 0,33/1,5 | 90 L | 1TZ9011-0ER4 | 347 | 405 | 134 | 383 |