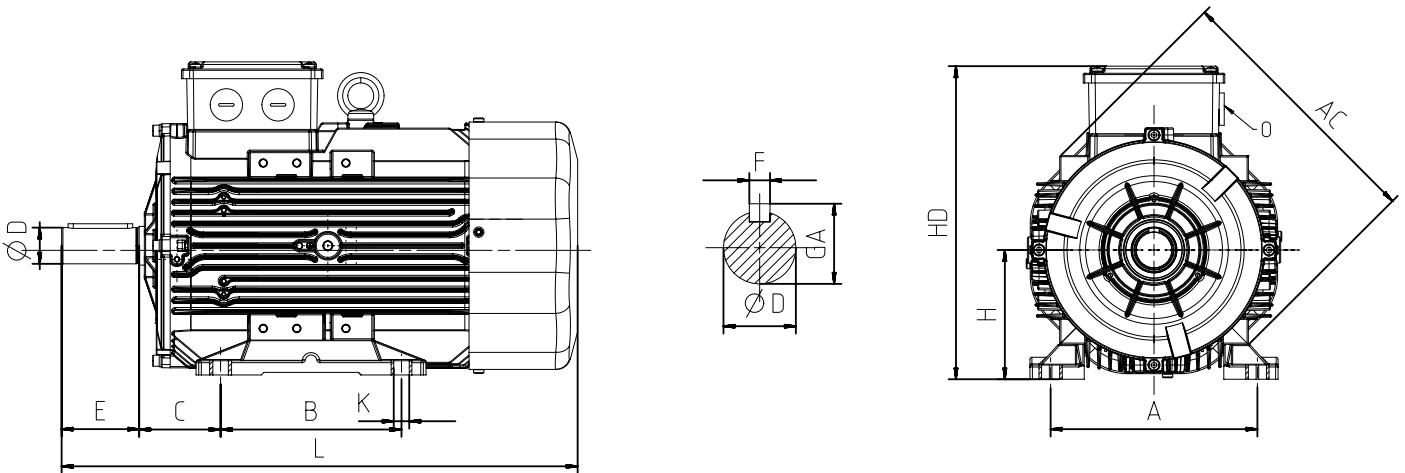


IE2 THREE PHASE ALUMINIUM MOTORS

DIMENSION - B3



SIZE	Power [kW]	Number of Poles	Motor Type	Housing Type	Main Dimensions			Foot Mounted Motors					Shaft			Bearing		Seal			
					AC	L	O	B	A	H	HD	K	C	D ⁽¹⁾	E	GA	F ⁽²⁾	Drive Side	Non drive Side	Drive Side	Non drive Side
	0.12	4	Q2E63M4A	Aluminium	123	220	1xM20	80	100	63	162	7	40	11	23	12.5	4	6201-ZZ	6201-ZZ	12*22*7	12*22*7
	0.18	2	Q2E63M2A	Aluminium	123	220	1xM20	80	100	63	162	7	40	11	23	12.5	4	6201-ZZ	6201-ZZ	12*22*7	12*22*7
	0.18	4	Q2E63M4B	Aluminium	123	220	1xM20	80	100	63	162	7	40	11	23	12.5	4	6201-ZZ	6201-ZZ	12*22*7	12*22*7
	0.25	2	Q2E63M2B	Aluminium	123	220	1xM20	80	100	63	162	7	40	11	23	12.5	4	6201-ZZ	6201-ZZ	12*22*7	12*22*7
	0.25	4	Q2E71M4C	Aluminium	138	253	1xM20	90	112	71	190	7	45	14	30	16	5	6202-ZZ	6202-ZZ	15*24*5	15*24*5
	0.37	2	Q2E71M2C	Aluminium	138	253	1xM20	90	112	71	190	7	45	14	30	16	5	6202-ZZ	6202-ZZ	15*24*5	15*24*5
	0.37	4	Q2E71M4D	Aluminium	138	253	1xM20	90	112	71	190	7	45	14	30	16	5	6202-ZZ	6202-ZZ	15*24*5	15*24*5
	0.55	2	Q2E71M2D	Aluminium	138	253	1xM20	90	112	71	190	7	45	14	30	16	5	6202-ZZ	6202-ZZ	15*24*5	15*24*5
	0.55	4	Q2H80M4B	Aluminium	158	268	1xM20	100	125	80	216	10	50	19	40	21.5	6	6204-ZZ	6204-ZZ	20*30*7	20*30*7
	0.75	2	Q2H80M2B	Aluminium	158	268	1xM20	100	125	80	216	10	50	19	40	21.5	6	6204-ZZ	6204-ZZ	20*30*7	20*30*7
	0.75	4	Q2H80M4C	Aluminium	158	268	1xM20	100	125	80	216	10	50	19	40	21.5	6	6204-ZZ	6204-ZZ	20*30*7	20*30*7
	0.75	6	Q2H90S6B	Aluminium	172	344	1xM25	100-125	140	90	223	10	56	24	50	27	8	6305-ZZ	6205-ZZ	25*40*7	25*40*7
	1.1	2	Q2H80M2C	Aluminium	158	268	1xM20	100	125	80	216	10	50	19	40	21.5	6	6204-ZZ	6204-ZZ	20*30*7	20*30*7
C	1.1	4	Q2H80M4D	Aluminium	158	268	1xM20	100	125	80	216	10	50	19	40	21.5	6	6204-ZZ	6204-ZZ	20*30*7	20*30*7
	1.1	4	Q2HS90S4B	Aluminium	158	278	1xM25	100-125	140	90	213	10	56	24	50	27	8	6305-ZZ	6204-ZZ	25*40*7	20*30*7
	1.1	6	Q2H90L6C	Aluminium	172	344	1xM25	100-125	140	90	223	10	56	24	50	27	8	6305-ZZ	6205-ZZ	25*40*7	25*40*7
C	1.5	2	Q2H80M2D	Aluminium	158	268	1xM20	100	125	80	216	10	50	19	40	21.5	6	6204-ZZ	6204-ZZ	20*30*7	20*30*7
	1.5	2	Q2HS90S2B	Aluminium	158	278	1xM25	100-125	140	90	213	10	56	24	50	27	8	6305-ZZ	6204-ZZ	25*40*7	20*30*7
C	1.5	4	Q2H80M4DE	Aluminium	158	268	1xM20	100	125	80	216	10	50	19	40	21.5	6	6204-ZZ	6204-ZZ	20*30*7	20*30*7
	1.5	4	Q2HS90L4C	Aluminium	158	303	1xM25	100-125	140	90	213	10	56	24	50	27	8	6305-ZZ	6204-ZZ	25*40*7	20*30*7
	1.5	6	Q2H100L6C	Aluminium	191	400	1xM25	140	160	100	243	12	63	28	60	31	8	6306-ZZ	6205-ZZ	30*47*7	30*47*7
C	2.2	2	Q2H80M2DE	Aluminium	158	268	1xM20	100	125	80	216	10	50	19	40	21.5	6	6204-ZZ	6204-ZZ	20*30*7	20*30*7
	2.2	2	Q2HS90L2C	Aluminium	158	303	1xM25	100-125	140	90	213	10	56	24	50	27	8	6305-ZZ	6204-ZZ	25*40*7	20*30*7
C	2.2	4	Q2H90L4D	Aluminium	172	344	1xM25	100-125	140	90	223	10	56	24	50	27	8	6305-ZZ	6205-ZZ	25*40*7	25*40*7
	2.2	4	Q2HS100L4B	Aluminium	172	349	1xM25	140	160	100	233	12	63	28	60	31	8	6306-ZZ	6205-ZZ	30*47*7	25*40*7
	2.2	6	Q2H112M6C	Aluminium	210	396	1xM25	140	190	112	265	12	70	28	60	31	8	6306-ZZ	6206-ZZ	30*47*7	30*47*7
C	3	2	Q2H90L2D	Aluminium	172	344	1xM25	100-125	140	90	223	10	56	24	50	27	8	6305-ZZ	6205-ZZ	25*40*7	25*40*7
	3	2	Q2HS100L2B	Aluminium	172	349	1xM25	140	160	100	233	12	63	28	60	31	8	6306-ZZ	6205-ZZ	30*47*7	25*40*7
C	3	4	Q2H90L4DE	Aluminium	172	379	1xM25	100-125	140	90	223	10	56	24	50	27	8	6305-ZZ	6205-ZZ	25*40*7	25*40*7
	3	4	Q2HS100L4C	Aluminium	172	384	1xM25	140	160	100	233	12	63	28	60	31	8	6306-ZZ	6205-ZZ	30*47*7	25*40*7
	3	6	Q2H132M6A	Aluminium	260	481	1xM32	140-178	216	132	312	12	89	38	80	41	10	6208-ZZ	6208-ZZ	40*62*10	40*62*10

(1) Tolerance DIN EN 50347 "j6" up to 28mm, "k6" above 28mm

(2) According to DIN 6885



SIZE	Power [kW]	Number of Poles	Motor Type	Housing Type	Main Dimensions			Foot Mounted Motors						Shaft				Bearing		Seal	
					AC	L	O	B	A	H	HD	K	C	D ⁽¹⁾	E	GA	F ⁽²⁾	Drive Side	Non drive Side	Drive Side	Non drive Side
SC	4	2	Q2H90L2DE	Aluminium	172	379	1xM25	100-125	140	90	223	10	56	24	50	27	8	6305-ZZ	6205-ZZ	25*40*7	25*40*7
C	4	2	Q2HS100L2C	Aluminium	172	384	1xM25	140	160	100	233	12	63	28	60	31	8	6306-ZZ	6205-ZZ	30*47*7	25*40*7
	4	2	Q2HS112M2B	Aluminium	191	399	1xM25	140	190	112	254	12	70	28	60	31	8	6306-ZZ	6205-ZZ	30*47*7	25*40*7
C	4	4	Q2HI00L4D	Aluminium	191	400	1xM25	140	160	100	243	12	63	28	60	31	8	6306-ZZ	6205-ZZ	30*47*7	25*40*7
	4	4	Q2HS112M4C	Aluminium	191	399	1xM25	140	190	112	254	12	70	28	60	31	8	6306-ZZ	6205-ZZ	30*47*7	25*40*7
	4	6	Q2HI32M6B	Aluminium	260	481	1xM32	140-178	216	132	312	12	89	38	80	41	10	6208-ZZ	6208-ZZ	40*62*10	40*62*10
SC	5.5	2	Q2HI00L2DE	Aluminium	191	400	1xM25	140	160	100	243	12	63	28	60	31	8	6306-ZZ	6205-ZZ	30*47*7	30*47*7
C	5.5	2	Q2HS112M2C	Aluminium	191	399	1xM25	140	190	112	254	12	70	28	60	31	8	6306-ZZ	6205-ZZ	30*47*7	25*40*7
	5.5	2	Q2HS132S2B	Aluminium	210	422	1xM25	140-178	216	132	283	12	89	38	80	41	10	6208-ZZ	6206-ZZ	40*62*10	30*47*7
C	5.5	4	Q2HI12M4D	Aluminium	210	421	1xM25	140	190	112	265	12	70	28	60	31	8	6306-ZZ	6206-ZZ	30*47*7	30*47*7
	5.5	4	Q2HS132S4A	Aluminium	210	422	1xM25	140-178	216	132	283	12	89	38	80	41	10	6208-ZZ	6206-ZZ	40*62*10	30*47*7
	5.5	6	Q2HI32M6C	Aluminium	260	481	1xM32	140-178	216	132	312	12	89	38	80	41	10	6208-ZZ	6208-ZZ	40*62*10	40*62*10
SC	7.5	2	Q2HI00L2E	Aluminium	191	422	1xM25	140	160	100	243	12	63	28	60	31	8	6306-ZZ	6205-ZZ	30*47*7	30*47*7
C	7.5	2	Q2HS112M2D	Aluminium	191	421	1xM25	140	190	112	254	12	70	28	60	31	8	6306-ZZ	6205-ZZ	30*47*7	25*40*7
	7.5	2	Q2HS132S2C	Aluminium	210	422	1xM25	140-178	216	132	283	12	89	38	80	41	10	6208-ZZ	6206-ZZ	40*62*10	30*47*7
	7.5	4	Q2HI32M4C	Aluminium	260	481	1xM32	140-178	216	132	312	12	89	38	80	41	10	6208-ZZ	6208-ZZ	40*62*10	40*62*10
	7.5	6	Q2HI60M6B	Aluminium	305	591	1xM32	210-254	254	160	368	14.5	108	42	110	45	12	6309-ZZ	6209-ZZ	45*72*10	45*72*10
C	11	2	Q2HI32M2A	Aluminium	260	481	1xM32	140-178	216	132	312	12	89	38	80	41	10	6208-ZZ	6208-ZZ	40*62*10	40*62*10
	11	2	Q2HS160M2C	Aluminium	260	520	1xM32	210-254	254	160	351	14.5	108	42	110	45	12	6309-ZZ	6208-ZZ	45*72*10	40*62*10
C	11	4	Q2HI32M4D	Aluminium	260	481	1xM32	140-178	216	132	312	12	89	38	80	41	10	6208-ZZ	6208-ZZ	40*62*10	40*62*10
	11	4	Q2HS160M4B	Aluminium	260	520	1xM32	210-254	254	160	351	14.5	108	42	110	45	12	6309-ZZ	6208-ZZ	45*72*10	40*62*10
	11	6	Q2HI60L6C	Aluminium	305	591	1xM32	210-254	254	160	368	14.5	108	42	110	45	12	6309-ZZ	6209-ZZ	45*72*10	45*72*10
C	15	2	Q2HI32M2B	Aluminium	260	481	1xM32	140-178	216	132	312	12	89	38	80	41	10	6208-ZZ	6208-ZZ	40*62*10	40*62*10
	15	2	Q2HS160M2D	Aluminium	260	520	1xM32	210-254	254	160	351	14.5	108	42	110	45	12	6309-ZZ	6208-ZZ	45*72*10	40*62*10
C	15	4	Q2HI32M4E	Aluminium	260	539	1xM32	140-178	216	132	312	12	89	38	80	41	10	6208-ZZ	6208-ZZ	40*62*10	40*62*10
	15	4	Q2HS160L4A	Aluminium	260	520	1xM32	210-254	254	160	351	14.5	108	42	110	45	12	6309-ZZ	6208-ZZ	45*72*10	40*62*10
	15	6	Q2HI80L6A	Aluminium	349	696	1xM40	241-279	279	180	437	14.5	121	48	110	51.5	14	6310-ZZ	6310-ZZ	50*80*10	50*80*10
C	18.5	2	Q2HI32M2C	Aluminium	260	539	1xM32	140-178	216	132	312	12	89	38	80	41	10	6208-ZZ	6208-ZZ	40*62*10	40*62*10
	18.5	2	Q2HS160L2A	Aluminium	260	520	1xM32	210-254	254	160	351	14.5	108	42	110	45	12	6309-ZZ	6208-ZZ	45*72*10	40*62*10
C	18.5	4	Q2HI60L4B	Aluminium	305	591	1xM32	210-254	254	160	368	14.5	108	42	110	45	12	6309-ZZ	6209-ZZ	45*72*10	45*72*10
	18.5	4	Q2HS180M4A	Aluminium	305	596	1xM32	241-279	279	180	398	14.5	121	48	110	51.5	14	6310-ZZ	6209-ZZ	50*80*10	45*72*10
	18.5	6	Q2H200L6B	Aluminium	349	706	1xM50	305	318	200	455	18.5	133	55	110	59	16	6312-ZZ	6310-ZZ	60*90*10	60*90*10
C	22	2	Q2HI60L2C	Aluminium	305	591	1xM32	210-254	254	160	368	14.5	108	42	110	45	12	6309-ZZ	6209-ZZ	45*72*10	45*72*10
	22	2	Q2HS180M2A	Aluminium	305	596	1xM32	241-279	279	180	398	14.5	121	48	110	51.5	14	6310-ZZ	6209-ZZ	50*80*10	45*72*10
C	22	4	Q2HI60L4C	Aluminium	305	591	1xM32	210-254	254	160	368	14.5	108	42	110	45	12	6309-ZZ	6209-ZZ	45*72*10	45*72*10
	22	4	Q2HS180L4B	Aluminium	305	596	1xM32	241-279	279	180	398	14.5	121	48	110	51.5	14	6310-ZZ	6209-ZZ	50*80*10	45*72*10
	22	6	Q2H200L6C	Aluminium	349	706	1xM50	267-305	318	200	455	18.5	133	55	110	59	16	6312-ZZ	6310-ZZ	60*90*10	60*90*10

IE2 THREE PHASE ALUMINIUM MOTORS



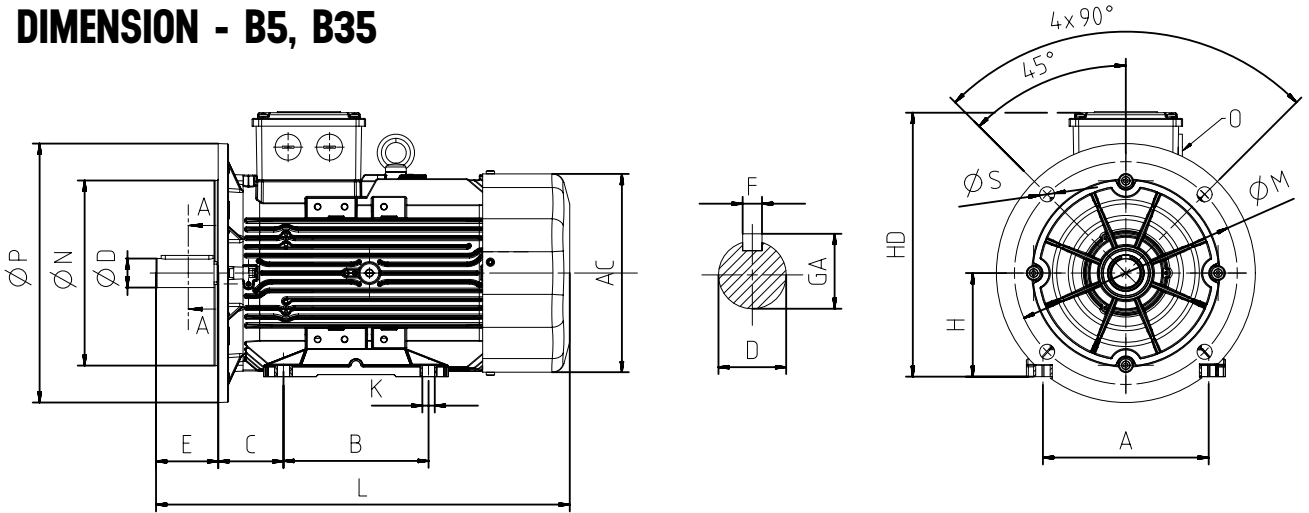
SIZE	Power [kW]	Number of Poles	Motor Type	Housing Type	Main Dimensions			Foot Mounted Motors						Shaft				Bearing		Seal	
					AC	L	O	B	A	H	HD	K	C	D ⁽¹⁾	E	GA	F ⁽²⁾	Drive Side	Non drive Side	Drive Side	Non drive Side
SC	30	2	Q2H160L2DE	Aluminium	305	591	1xM32	210-254	254	160	368	14.5	108	42	110	45	12	6309-ZZ	6209-ZZ	45*72*10	45*72*10
C	30	2	Q2H180M2B	Aluminium	349	696	1xM40	241-279	279	180	437	14.5	121	48	110	51.5	14	6310-ZZ	6310-ZZ	50*80*10	50*80*10
	30	2	Q2H200L2B	Aluminium	349	706	1xM50	267-305	318	200	455	18.5	133	55	110	59	16	6312-ZZ	6310-ZZ	60*90*10	60*90*10
C	30	4	Q2H180L4C	Aluminium	349	696	1xM40	241-279	279	180	437	14.5	121	48	110	51.5	14	6310-ZZ	6310-ZZ	50*80*10	50*80*10
	30	4	Q2H200L4C	Aluminium	349	706	1xM50	267-305	318	200	455	18.5	133	55	110	59	16	6312-ZZ	6310-ZZ	60*90*10	60*90*10
	30	6	Q2E225M6B	Aluminium	456	765	1xM50	286-311	356	225	485	18.5	149	60	140	64	18	6313-ZZ	6313-ZZ	65*100*13	65*100*13
C	37	2	Q2H180M2C	Aluminium	349	696	1xM40	241-279	279	180	437	14.5	121	48	110	51.5	14	6310-ZZ	6310-ZZ	50*80*10	50*80*10
	37	2	Q2H200L2C	Aluminium	349	706	1xM50	305	318	200	455	18.5	133	55	110	59	16	6312-ZZ	6310-ZZ	60*90*10	60*90*10
SC	37	4	Q2H180L4A	Aluminium	349	696	1xM40	241-279	279	180	398	14.5	121	48	110	51.5	14	6310-ZZ	6310-ZZ	50*80*10	50*80*10
C	37	4	Q2H200L4D	Aluminium	349	759	1xM50	267-305	318	200	455	18.5	133	55	110	59	16	6312-ZZ	6310-ZZ	60*90*10	60*90*10
	37	4	Q2E225M4A	Aluminium	456	765	1xM50	286-311	356	225	485	18.5	149	60	140	64	18	6313-ZZ	6313-ZZ	65*100*13	65*100*13
SC	45	2	Q2H180L2D	Aluminium	349	696	1xM40	241-279	279	180	437	14.5	121	48	110	51.5	14	6310-ZZ	6310-ZZ	50*80*10	50*80*10
C	45	2	Q2H200L2D	Aluminium	349	759	1xM50	267-305	318	200	455	18.5	133	55	110	59	16	6312-ZZ	6310-ZZ	60*90*10	60*90*10
	45	2	Q2E225M2A	Aluminium	456	735	1xM50	286-311	356	225	485	18.5	149	55	110	59	16	6313-ZZ	6313-ZZ	65*100*13	65*100*13
	45	4	Q2E225M4B	Aluminium	456	765	1xM50	286-311	356	225	485	18.5	149	60	140	64	18	6313-ZZ	6313-ZZ	65*100*13	65*100*13
SC	55	2	Q2H200L2E	Aluminium	349	759	1xM50	267-305	318	200	455	22.5	133	55	110	59	16	6312-ZZ	6310-ZZ	60*90*10	50*80*10
C	55	2	Q2E225M2C	Aluminium	456	735	1xM50	286-311	356	225	485	18.5	149	55	110	59	16	6313-ZZ	6313-ZZ	65*100*13	65*100*13
	55	2	Q2E250M2A	Aluminium	527	886	2*M50	349	406	250	615	24	149	60	140	64	18	6315-ZZ	6313-ZZ	75*112*12	65*100*13

(1) Tolerance DIN EN 50347 "j6" up to 28mm, "k6" above 28mm

(2) According to DIN 6885

IE2 THREE PHASE ALUMINIUM MOTORS

DIMENSION - B5, B35



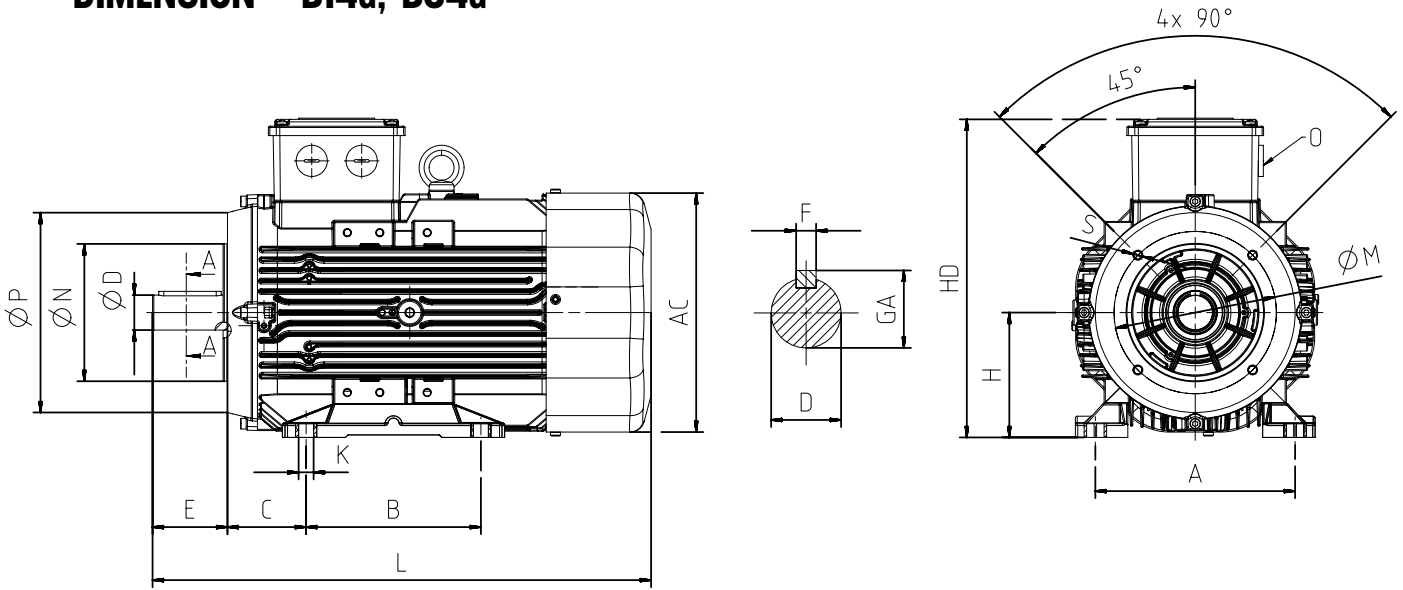
SIZE	Power [kW]	Number of Poles	Motor Type	Housing Type	Main Dimensions			Foot Mounted Motors					Shaft			Bearing		Seal		Flange [FA] [B5]				
					AC	L	O	B	A	H	HD	K	D ⁽¹⁾	E	GA	F ⁽²⁾	Drive Side	Non drive Side	Drive Side	Non drive Side	P	N ⁽³⁾	M	R
0.12	4	Q2E63M4A	Aluminium	123	220	1xM20	80	100	63	162	7	11	23	12.5	4	6201-ZZ	6201-ZZ	12*22*7	12*22*7	140	95	115	-	10
0.18	2	Q2E63M2A	Aluminium	123	220	1xM20	80	100	63	162	7	11	23	12.5	4	6201-ZZ	6201-ZZ	12*22*7	12*22*7	140	95	115	-	10
0.18	4	Q2E63M4B	Aluminium	123	220	1xM20	80	100	63	162	7	11	23	12.5	4	6201-ZZ	6201-ZZ	12*22*7	12*22*7	140	95	115	-	10
0.25	2	Q2E63M2B	Aluminium	123	220	1xM20	80	100	63	162	7	11	23	12.5	4	6201-ZZ	6201-ZZ	12*22*7	12*22*7	140	95	115	-	10
0.25	4	Q2E71M4C	Aluminium	138	253	1xM20	90	112	71	190	7	14	30	16	5	6202-ZZ	6202-ZZ	15*24*5	15*24*5	160	110	130	-	10
0.37	2	Q2E71M2C	Aluminium	138	253	1xM20	90	112	71	190	7	14	30	16	5	6202-ZZ	6202-ZZ	15*24*5	15*24*5	160	110	130	-	10
0.37	4	Q2E71M4D	Aluminium	138	253	1xM20	90	112	71	190	7	14	30	16	5	6202-ZZ	6202-ZZ	15*24*5	15*24*5	160	110	130	-	10
0.55	2	Q2E71M2D	Aluminium	138	253	1xM20	90	112	71	190	7	14	30	16	5	6202-ZZ	6202-ZZ	15*24*5	15*24*5	160	110	130	-	10
0.55	4	Q2H80M4B	Aluminium	158	268	1xM20	100	125	80	216	10	19	40	21.5	6	6204-ZZ	6204-ZZ	20*30*7	20*30*7	200	130	165	-	12
0.75	2	Q2H80M2B	Aluminium	158	268	1xM20	100	125	80	216	10	19	40	21.5	6	6204-ZZ	6204-ZZ	20*30*7	20*30*7	200	130	165	-	12
0.75	4	Q2H80M4C	Aluminium	158	268	1xM20	100	125	80	216	10	19	40	21.5	6	6204-ZZ	6204-ZZ	20*30*7	20*30*7	200	130	165	-	12
0.75	6	Q2H90S6B	Aluminium	172	344	1xM25	100-125	140	90	223	10	24	50	27	8	6305-ZZ	6205-ZZ	25*40*7	25*40*7	200	130	165	-	12
1.1	2	Q2H80M2C	Aluminium	158	268	1xM20	100	125	80	216	10	19	40	21.5	6	6204-ZZ	6204-ZZ	20*30*7	20*30*7	200	130	165	-	12
C	1.1	Q2H80M4D	Aluminium	158	268	1xM20	100	125	80	216	10	19	40	21.5	6	6204-ZZ	6204-ZZ	20*30*7	20*30*7	200	130	165	-	12
1.1	4	Q2HS90S4B	Aluminium	158	278	1xM25	100-125	140	90	213	10	24	50	27	8	6305-ZZ	6204-ZZ	25*40*7	20*30*7	200	130	165	-	12
1.1	6	Q2H90L6C	Aluminium	172	344	1xM25	100-125	140	90	223	10	24	50	27	8	6305-ZZ	6205-ZZ	25*40*7	25*40*7	200	130	165	-	12
C	1.5	Q2H80M2D	Aluminium	158	268	1xM20	100	125	80	216	10	19	40	21.5	6	6204-ZZ	6204-ZZ	20*30*7	20*30*7	200	130	165	-	12
1.5	2	Q2HS90S2B	Aluminium	158	278	1xM25	100-125	140	90	213	10	24	50	27	8	6305-ZZ	6204-ZZ	25*40*7	20*30*7	200	130	165	-	12
C	1.5	Q2H80M4DE	Aluminium	158	268	1xM20	100	125	80	216	10	19	40	21.5	6	6204-ZZ	6204-ZZ	20*30*7	20*30*7	200	130	165	-	12
1.5	4	Q2HS90L4C	Aluminium	158	303	1xM25	100-125	140	90	213	10	24	50	27	8	6305-ZZ	6204-ZZ	25*40*7	20*30*7	200	130	165	-	12
1.5	6	Q2HI00L6C	Aluminium	191	400	1xM25	140	160	100	243	12	28	60	31	8	6306-ZZ	6205-ZZ	30*47*7	30*47*7	250	180	215	-	14.5
C	2.2	Q2H80M2DE	Aluminium	158	268	1xM20	100	125	80	216	10	19	40	21.5	6	6204-ZZ	6204-ZZ	20*30*7	20*30*7	200	130	165	-	12
2.2	2	Q2HS90L2C	Aluminium	158	303	1xM25	100-125	140	90	213	10	24	50	27	8	6305-ZZ	6204-ZZ	25*40*7	20*30*7	200	130	165	-	12
C	2.2	Q2H90L4D	Aluminium	172	344	1xM25	100-125	140	90	223	10	24	50	27	8	6305-ZZ	6205-ZZ	25*40*7	25*40*7	200	130	165	-	12
2.2	4	Q2HSI00L4B	Aluminium	172	349	1xM25	140	160	100	233	12	28	60	31	8	6306-ZZ	6205-ZZ	30*47*7	25*40*7	250	180	215	-	14.5
2.2	6	Q2HI12M6C	Aluminium	210	396	1xM25	140	190	112	265	12	28	60	31	8	6306-ZZ	6206-ZZ	30*47*7	30*47*7	250	180	215	-	14.5
C	3	Q2H90L2D	Aluminium	172	344	1xM25	100-125	140	90	223	10	24	50	27	8	6305-ZZ	6205-ZZ	25*40*7	25*40*7	200	130	165	-	12
3	2	Q2HSI00L2B	Aluminium	172	349	1xM25	140	160	100	233	12	28	60	31	8	6306-ZZ	6205-ZZ	30*47*7	25*40*7	250	180	215	-	14.5
C	3	Q2H90L4DE	Aluminium	172	379	1xM25	100-125	140	90	223	10	24	50	27	8	6305-ZZ	6205-ZZ	25*40*7	25*40*7	200	130	165	-	12
3	4	Q2HSI00L4C	Aluminium	172	384	1xM25	140	160	100	233	12	28	60	31	8	6306-ZZ	6205-ZZ	30*47*7	25*40*7	250	180	215	-	14.5
3	6	Q2HI32M6A	Aluminium	260	481	1xM32	140-178	216	132	312	12	38	80	41	10	6208-ZZ	6208-ZZ	40*62*10	40*62*10	300	230	265	-	14.5
SC	4	Q2H90L2DE	Aluminium	172	379	1xM25	100-125	140	90	223	10	24	50	27	8	6305-ZZ	6205-ZZ	25*40*7	25*40*7	200	130	165	-	12
C	4	Q2HSI00L2C	Aluminium	172	384	1xM25	140	160	100	233	12	28	60	31	8	6306-ZZ	6205-ZZ	30*47*7	25*40*7	250	180	215	-	14.5
4	2	Q2HSI12M2B	Aluminium	191	399	1xM25	140	190	112	254	12	28	60	31	8	6306-ZZ	6205-ZZ	30*47*7	25*40*7	250	180	215	-	14.5
C	4	Q2HI00L4D	Aluminium	191	400	1xM25	140	160	100	243	12	28	60	31	8	6306-ZZ	6205-ZZ	30*47*7	30*47*7	250	180	215	-	14.5
4	4	Q2HSI12M4C	Aluminium	191	399	1xM25	140	190	112	254	12	28	60	31	8	6306-ZZ	6205-ZZ	30*47*7	25*40*7	250	180	215	-	14.5

(1) Tolerance DIN EN 50347 "j6" up to 28mm, "k6" above 28mm
 (2) According to DIN 6885
 (3) Tolerance DIN EN 50347 "j6"

IE2 THREE PHASE ALUMINIUM MOTORS

SIZE	Power [kW]	Number of Poles	Motor Type	Housing Type	Main Dimensions			Foot Mounted Motors					Shaft				Bearing		Seal		Flange [FA] [B5]				
					AC	L	O	B	A	H	HD	K	D ⁽¹⁾	E	GA	F ⁽²⁾	Drive Side	Non drive Side	Drive Side	Non drive Side	P	N ⁽³⁾	M	R	S
	4	6	Q2HI32M6B	Aluminium	260	481	1xM32	140-178	216	132	312	12	38	80	41	10	6208-ZZ	6208-ZZ	40*62*10	40*62*10	300	230	265	-	14.5
SC	5.5	2	Q2HI00L2DE	Aluminium	191	400	1xM25	140	160	100	243	12	28	60	31	8	6306-ZZ	6205-ZZ	30*47*7	30*47*7	250	180	215	-	14.5
C	5.5	2	Q2HS112M2C	Aluminium	191	399	1xM25	140	190	112	254	12	28	60	31	8	6306-ZZ	6205-ZZ	30*47*7	25*40*7	250	180	215	-	14.5
	5.5	2	Q2HS132S2B	Aluminium	210	422	1xM25	140-178	216	132	283	12	38	80	41	10	6208-ZZ	6206-ZZ	40*62*10	30*47*7	300	230	265	-	14.5
C	5.5	4	Q2HI12M4D	Aluminium	210	421	1xM25	140	190	112	265	12	28	60	31	8	6306-ZZ	6206-ZZ	30*47*7	30*47*7	250	180	215	-	14.5
	5.5	4	Q2HS132S4A	Aluminium	210	422	1xM25	140-178	216	132	283	12	38	80	41	10	6208-ZZ	6206-ZZ	40*62*10	30*47*7	300	230	265	-	14.5
	5.5	6	Q2HI32M6C	Aluminium	260	481	1xM32	140-178	216	132	312	12	38	80	41	10	6208-ZZ	6208-ZZ	40*62*10	40*62*10	300	230	265	-	14.5
SC	7.5	2	Q2HI00L2E	Aluminium	191	422	1xM25	140	160	100	243	12	28	60	31	8	6306-ZZ	6205-ZZ	30*47*7	30*47*7	250	180	215	-	14.5
C	7.5	2	Q2HS112M2D	Aluminium	191	421	1xM25	140	190	112	254	12	28	60	31	8	6306-ZZ	6205-ZZ	30*47*7	25*40*7	250	180	215	-	14.5
	7.5	2	Q2HS132S2C	Aluminium	210	422	1xM25	140-178	216	132	283	12	38	80	41	10	6208-ZZ	6206-ZZ	40*62*10	30*47*7	300	230	265	-	14.5
	7.5	4	Q2HI32M4C	Aluminium	260	481	1xM32	140-178	216	132	312	12	38	80	41	10	6208-ZZ	6208-ZZ	40*62*10	40*62*10	300	230	265	-	14.5
	7.5	6	Q2HI60M6B	Aluminium	305	591	1xM32	210-254	254	160	368	14.5	42	110	45	12	6309-ZZ	6209-ZZ	45*72*10	45*72*10	350	250	300	-	18.5
C	11	2	Q2HI32M2A	Aluminium	260	481	1xM32	140-178	216	132	312	12	38	80	41	10	6208-ZZ	6208-ZZ	40*62*10	40*62*10	300	230	265	-	14.5
	11	2	Q2HS160M2C	Aluminium	260	520	1xM32	210-254	254	160	351	14.5	42	110	45	12	6309-ZZ	6208-ZZ	45*72*10	40*62*10	350	250	300	-	18.5
C	11	4	Q2HI32M4D	Aluminium	260	481	1xM32	140-178	216	132	312	12	38	80	41	10	6208-ZZ	6208-ZZ	40*62*10	40*62*10	300	230	265	-	14.5
	11	4	Q2HS160M4B	Aluminium	260	520	1xM32	210-254	254	160	351	14.5	42	110	45	12	6309-ZZ	6208-ZZ	45*72*10	40*62*10	350	250	300	-	18.5
	11	6	Q2HI60L6C	Aluminium	305	591	1xM32	210-254	254	160	368	14.5	42	110	45	12	6309-ZZ	6209-ZZ	45*72*10	45*72*10	350	250	300	-	18.5
C	15	2	Q2HI32M2B	Aluminium	260	481	1xM32	140-178	216	132	312	12	38	80	41	10	6208-ZZ	6208-ZZ	40*62*10	40*62*10	300	230	265	-	14.5
	15	2	Q2HS160M2D	Aluminium	260	520	1xM32	210-254	254	160	351	14.5	42	110	45	12	6309-ZZ	6208-ZZ	45*72*10	40*62*10	350	250	300	-	18.5
C	15	4	Q2HI32M4E	Aluminium	260	539	1xM32	140-178	216	132	312	12	38	80	41	10	6208-ZZ	6208-ZZ	40*62*10	40*62*10	300	230	265	-	14.5
	15	4	Q2HS160L4A	Aluminium	260	520	1xM32	210-254	254	160	351	14.5	42	110	45	12	6309-ZZ	6208-ZZ	45*72*10	40*62*10	350	250	300	-	18.5
	15	6	Q2HI80L6A	Aluminium	349	696	1xM40	241-279	279	180	437	14.5	48	110	51.5	14	6310-ZZ	6310-ZZ	50*80*10	50*80*10	350	250	300	-	18.5
C	18.5	2	Q2HI32M2C	Aluminium	260	539	1xM32	140-178	216	132	312	12	38	80	41	10	6208-ZZ	6208-ZZ	40*62*10	40*62*10	300	230	265	-	14.5
	18.5	2	Q2HS160L2A	Aluminium	260	520	1xM32	210-254	254	160	351	14.5	42	110	45	12	6309-ZZ	6208-ZZ	45*72*10	40*62*10	350	250	300	-	18.5
C	18.5	4	Q2HI60L4B	Aluminium	305	591	1xM32	210-254	254	160	368	14.5	42	110	45	12	6309-ZZ	6209-ZZ	45*72*10	45*72*10	350	250	300	-	18.5
	18.5	4	Q2HS180M4A	Aluminium	305	596	1xM32	241-279	279	180	398	14.5	48	110	51.5	14	6310-ZZ	6209-ZZ	50*80*10	45*72*10	350	250	300	-	18.5
	18.5	6	Q2H200L6B	Aluminium	349	706	1xM50	305	318	200	455	18.5	55	110	59	16	6312-ZZ	6310-ZZ	60*90*10	60*90*10	400	300	350	-	18.5
C	22	2	Q2HI60L2C	Aluminium	305	591	1xM32	210-254	254	160	368	14.5	42	110	45	12	6309-ZZ	6209-ZZ	45*72*10	45*72*10	350	250	300	-	18.5
	22	2	Q2HS180M2A	Aluminium	305	596	1xM32	241-279	279	180	398	14.5	48	110	51.5	14	6310-ZZ	6209-ZZ	50*80*10	45*72*10	350	250	300	-	18.5
C	22	4	Q2HI60L4C	Aluminium	305	591	1xM32	210-254	254	160	368	14.5	42	110	45	12	6309-ZZ	6209-ZZ	45*72*10	45*72*10	350	250	300	-	18.5
	22	4	Q2HS180L4B	Aluminium	305	596	1xM32	241-279	279	180	398	14.5	48	110	51.5	14	6310-ZZ	6209-ZZ	50*80*10	45*72*10	350	250	300	-	18.5
	22	6	Q2H200L6C	Aluminium	349	706	1xM50	267-305	318	200	455	18.5	55	110	59	16	6312-ZZ	6310-ZZ	60*90*10	60*90*10	400	300	350	-	18.5
SC	30	2	Q2HI60L2DE	Aluminium	305	591	1xM32	210-254	254	160	368	14.5	42	110	45	12	6309-ZZ	6209-ZZ	45*72*10	45*72*10	350	250	300	-	18.5
C	30	2	Q2HI80M2B	Aluminium	349	696	1xM40	241-279	279	180	437	14.5	48	110	51.5	14	6310-ZZ	6310-ZZ	50*80*10	50*80*10	350	250	300	-	18.5
	30	2	Q2H200L2B	Aluminium	349	706	1xM50	267-305	318	200	455	18.5	55	110	59	16	6312-ZZ	6310-ZZ	60*90*10	60*90*10	400	300	350	-	18.5
C	30	4	Q2HI80L4C	Aluminium	349	696	1xM40	241-279	279	180	437	14.5	48	110	51.5	14	6310-ZZ	6310-ZZ	50*80*10	50*80*10	350	250	300	-	18.5
	30	4	Q2H200L4C	Aluminium	349	706	1xM50	267-305	318	200	455	18.5	55	110	59	16	6312-ZZ	6310-ZZ	60*90*10	60*90*10	400	300	350	-	18.5
	30	6	Q2E225M6B	Aluminium	456	765	1xM50	286-311	356	225	485	18.5	60	140	64	18	6313-ZZ	6313-ZZ	65*100*13	65*100*13	450	350	400	-	18.5
C	37	2	Q2HI80M2C	Aluminium	349	696	1xM40	241-279	279	180	437	14.5	48	110	51.5	14	6310-ZZ	6310-ZZ	50*80*10	50*80*10	350	250	300	-	18.5
	37	2	Q2H200L2C	Aluminium	349	706	1xM50	267-305	318	200	455	18.5	55	110	59	16	6312-ZZ	6310-ZZ	60*90*10	60*90*10	400	300	350	-	18.5
SC	37	4	Q2HI80L4A	Aluminium	349	696	1xM40	241-279	279	180	398	14.5	48	110	51.5	14	6310-ZZ	6310-ZZ	50*80*10	50*80*10	350	250	300	-	18.5
C	37	4	Q2H200L4D	Aluminium	349	759	1xM50	267-305	318	200	455	18.5	55	110	59	16	6312-ZZ	6310-ZZ	60*90*10	60*90*10	400	300	350	-	18.5
	37	4	Q2E225M4A	Aluminium	456	765	1xM50	286-311	356	225	485	18.5	60	140	64	18	6313-ZZ	6313-ZZ	65*100*13	65*100*13	450	350	400	-	18.5
SC	45	2	Q2HI80L2D	Aluminium	349	696	1xM40	241-279	279	180	437	14.5	48	110	51.5	14	6310-ZZ	6310-ZZ	50*80*10	50*80*10	350	250	300	-	18.5
C	45	2	Q2H200L2D	Aluminium	349	759	1xM50	267-305	318	200	455	18.5	55	110	59	16	6312-ZZ	6310-ZZ	60*90*10	60*90*10	400	300	350	-	18.5
	45	2	Q2E225M2A	Aluminium	456	735	1xM50	286-311	356	225	485	18.5	55	110	59	16	6313-ZZ	6313-ZZ	65*100*13	65*100*13	450	350	400	-	18.5
	45	4	Q2E225M4B	Aluminium	456	765	1xM50	286-311	356	225	485	18.5	60	140	64	18	6313-ZZ	6313-ZZ	65*100*13	65*100*13	450	350	400	-	18.5
SC	55	2	Q2H200L2E	Aluminium	349	759	1xM50	267-305	318	200	455	22.5	55	110	59	16	6312-ZZ	6310-ZZ	60*90*10	50*80*10	400	300	350	-	18.5
C	55	2	Q2E225M2C	Aluminium	456	735	1xM50	286-311	356	225	485	18.5	55	110	59	16	6313-ZZ	6313-ZZ	65*100*13	65*100*13	450	350	400	-	18.5
	55	2	Q2E250M2A	Aluminium	527	886	2*M50	349	406	250	615	24	60	140	18	64	6315-ZZ	6313-ZZ	75*112*12	65*100*13	550	450	500	-	18.5

DIMENSION - B14a, B34a



SIZE	Power [kW]	Number of Poles	Motor Type	Housing Type	Main Dimensions			Foot Mounted Motors				Shaft				Bearing		Seal		Flange [FC] [B14a]					
					AC	L	O	B	A	H	HD	K	D ⁽¹⁾	E	GA	F ⁽²⁾	Drive Side	Non drive Side	Drive Side	Non drive Side	P	N ⁽³⁾	M	R	S
	0.12	4	Q2E63M4A	Aluminium	123	220	1xM20	80	100	63	162	7	11	23	12.5	4	6201-ZZ	6201-ZZ	12*22*7	12*22*7	90	60	75	-	M5
	0.18	2	Q2E63M2A	Aluminium	123	220	1xM20	80	100	63	162	7	11	23	12.5	4	6201-ZZ	6201-ZZ	12*22*7	12*22*7	90	60	75	-	M5
	0.18	4	Q2E63M4B	Aluminium	123	220	1xM20	80	100	63	162	7	11	23	12.5	4	6201-ZZ	6201-ZZ	12*22*7	12*22*7	90	60	75	-	M5
	0.25	2	Q2E63M2B	Aluminium	123	220	1xM20	80	100	63	162	7	11	23	12.5	4	6201-ZZ	6201-ZZ	12*22*7	12*22*7	90	60	75	-	M5
	0.25	4	Q2E71M4C	Aluminium	138	253	1xM20	90	112	71	190	7	14	30	16	5	6202-ZZ	6202-ZZ	15*24*5	15*24*5	105	70	85	-	M6
	0.37	2	Q2E71M2C	Aluminium	138	253	1xM20	90	112	71	190	7	14	30	16	5	6202-ZZ	6202-ZZ	15*24*5	15*24*5	105	70	85	-	M6
	0.37	4	Q2E71M4D	Aluminium	138	253	1xM20	90	112	71	190	7	14	30	16	5	6202-ZZ	6202-ZZ	15*24*5	15*24*5	105	70	85	-	M6
	0.55	2	Q2E71M2D	Aluminium	138	253	1xM20	90	112	71	190	7	14	30	16	5	6202-ZZ	6202-ZZ	15*24*5	15*24*5	105	70	85	-	M6
	0.55	4	Q2H80M4B	Aluminium	158	268	1xM20	100	125	80	216	10	19	40	21.5	6	6204-ZZ	6204-ZZ	20*30*7	20*30*7	120	80	100	-	M6
	0.75	2	Q2H80M2B	Aluminium	158	268	1xM20	100	125	80	216	10	19	40	21.5	6	6204-ZZ	6204-ZZ	20*30*7	20*30*7	120	80	100	-	M6
	0.75	4	Q2H80M4C	Aluminium	158	268	1xM20	100	125	80	216	10	19	40	21.5	6	6204-ZZ	6204-ZZ	20*30*7	20*30*7	120	80	100	-	M6
	0.75	6	Q2H90S6B	Aluminium	172	344	1xM25	100-125	140	90	223	10	24	50	27	8	6305-ZZ	6205-ZZ	25*40*7	25*40*7	140	95	115	-	M8
	1.1	2	Q2H80M2C	Aluminium	158	268	1xM20	100	125	80	216	10	19	40	21.5	6	6204-ZZ	6204-ZZ	20*30*7	20*30*7	120	80	100	-	M6
C	1.1	4	Q2H80M4D	Aluminium	158	268	1xM20	100	125	80	216	10	19	40	21.5	6	6204-ZZ	6204-ZZ	20*30*7	20*30*7	120	80	100	-	M6
	1.1	4	Q2HS90S4B	Aluminium	158	278	1xM25	100-125	140	90	213	10	24	50	27	8	6305-ZZ	6204-ZZ	25*40*7	20*30*7	140	95	115	-	M8
	1.1	6	Q2H90L6C	Aluminium	172	344	1xM25	100-125	140	90	223	10	24	50	27	8	6305-ZZ	6205-ZZ	25*40*7	25*40*7	140	95	115	-	M8
C	1.5	2	Q2H80M2D	Aluminium	158	268	1xM20	100	125	80	216	10	19	40	21.5	6	6204-ZZ	6204-ZZ	20*30*7	20*30*7	120	80	100	-	M6
	1.5	2	Q2HS90S2B	Aluminium	158	278	1xM25	100-125	140	90	213	10	24	50	27	8	6305-ZZ	6204-ZZ	25*40*7	20*30*7	140	95	115	-	M8
C	1.5	4	Q2H80M4DE	Aluminium	158	268	1xM20	100	125	80	216	10	19	40	21.5	6	6204-ZZ	6204-ZZ	20*30*7	20*30*7	120	80	100	-	M6
	1.5	4	Q2HS90L4C	Aluminium	158	303	1xM25	100-125	140	90	213	10	24	50	27	8	6305-ZZ	6204-ZZ	25*40*7	20*30*7	140	95	115	-	M8
	1.5	6	Q2H100L6C	Aluminium	191	400	1xM25	140	160	100	243	12	28	60	31	8	6306-ZZ	6205-ZZ	30*47*7	30*47*7	160	110	130	-	M8
C	2.2	2	Q2H80M2DE	Aluminium	158	268	1xM20	100	125	80	216	10	19	40	21.5	6	6204-ZZ	6204-ZZ	20*30*7	20*30*7	120	80	100	-	M6
	2.2	2	Q2HS90L2C	Aluminium	158	303	1xM25	100-125	140	90	213	10	24	50	27	8	6305-ZZ	6204-ZZ	25*40*7	20*30*7	140	95	115	-	M8
C	2.2	4	Q2H90L4D	Aluminium	172	344	1xM25	100-125	140	90	223	10	24	50	27	8	6305-ZZ	6205-ZZ	25*40*7	25*40*7	140	95	115	-	M8
	2.2	4	Q2HS100L4B	Aluminium	172	349	1xM25	140	160	100	233	12	28	60	31	8	6306-ZZ	6205-ZZ	30*47*7	25*40*7	160	110	130	-	M8
	2.2	6	Q2H112M6C	Aluminium	210	396	1xM25	140	190	112	265	12	28	60	31	8	6306-ZZ	6206-ZZ	30*47*7	30*47*7	160	110	130	-	M8
C	3	2	Q2H90L2D	Aluminium	172	344	1xM25	100-125	140	90	223	10	24	50	27	8	6305-ZZ	6205-ZZ	25*40*7	25*40*7	140	95	115	-	M8
	3	2	Q2HS100L2B	Aluminium	172	349	1xM25	140	160	100	233	12	28	60	31	8	6306-ZZ	6205-ZZ	30*47*7	25*40*7	160	110	130	-	M8
C	3	4	Q2H90L4DE	Aluminium	172	379	1xM25	100-125	140	90	223	10	24	50	27	8	6305-ZZ	6205-ZZ	25*40*7	25*40*7	140	95	115	-	M8
	3	4	Q2HS100L4C	Aluminium	172	384	1xM25	140	160	100	233	12	28	60	31	8	6306-ZZ	6205-ZZ	30*47*7	25*40*7	160	110	130	-	M8
	3	6	Q2H132M6A	Aluminium	260	481	1xM32	140-178	216	132	312	12	38	80	41	10	6208-ZZ	6208-ZZ	40*62*10	40*62*10	200	130	165	-	M10

(1) Tolerance DIN EN 50347 "j6" up to 28mm, "k6" above 28mm

(2) According to DIN 6885

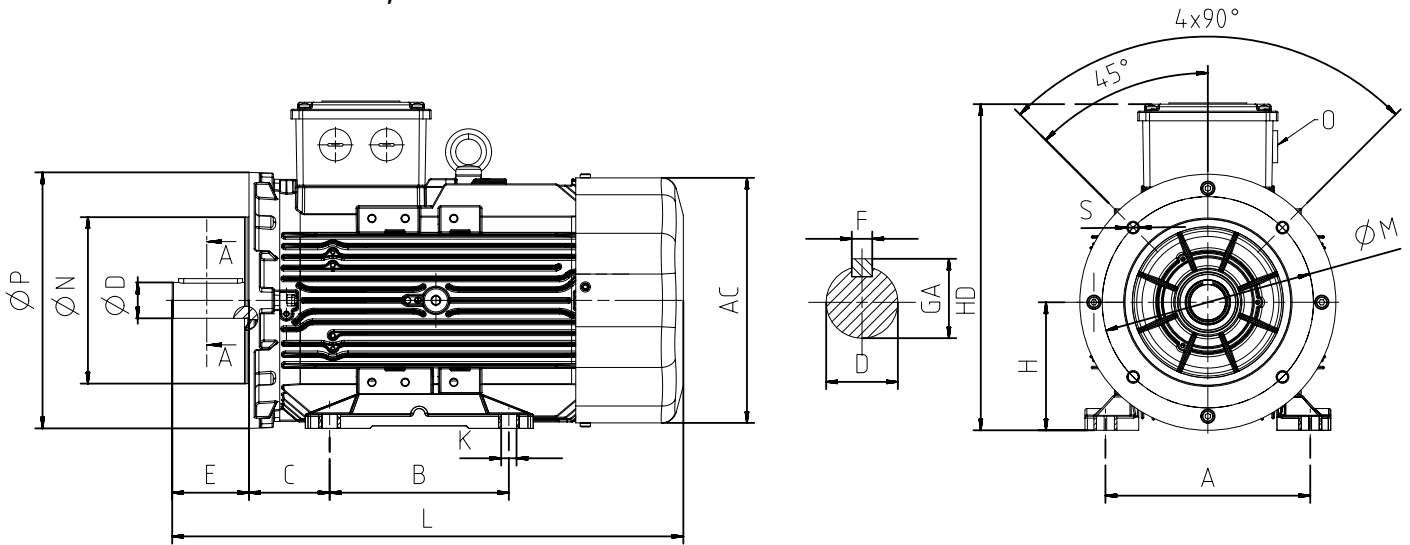
(3) Tolerance DIN EN 50347 "j6"

IE2 THREE PHASE ALUMINIUM MOTORS



SIZE	Power [kW]	Number of Poles	Motor Type	Housing Type	Main Dimensions			Foot Mounted Motors					Shaft				Bearing		Seal		Flange [FC] [B14a]				
					AC	L	O	B	A	H	HD	K	D ⁽¹⁾	E	GA	F ⁽²⁾	Drive Side	Non drive Side	Drive Side	Non drive Side	P	N ⁽³⁾	M	R	S
SC	4	2	Q2H90L2DE	Aluminium	172	378.5	1xM25	100-125	140	90	223	10	24	50	27	8	6305-ZZ	6205-ZZ	25*40*7	25*40*7	140	95	115	-	M8
C	4	2	Q2HS100L2C	Aluminium	172	384	1xM25	140	160	100	233	12	28	60	31	8	6306-ZZ	6205-ZZ	30*47*7	25*40*7	160	110	130	-	M8
	4	2	Q2HS112M2B	Aluminium	191	399	1xM25	140	190	112	254	12	28	60	31	8	6306-ZZ	6205-ZZ	30*47*7	25*40*7	160	110	130	-	M8
C	4	4	Q2HI00L4D	Aluminium	191	400	1xM25	140	160	100	243	12	28	60	31	8	6306-ZZ	6205-ZZ	30*47*7	30*47*7	160	110	130	-	M8
	4	4	Q2HS112M4C	Aluminium	191	399	1xM25	140	190	112	254	12	28	60	31	8	6306-ZZ	6205-ZZ	30*47*7	25*40*7	160	110	130	-	M8
	4	6	Q2HI32M6B	Aluminium	260	481	1xM32	140-178	216	132	312	12	38	80	41	10	6208-ZZ	6208-ZZ	40*62*10	40*62*10	200	130	165	-	M10
SC	5.5	2	Q2HI00L2DE	Aluminium	191	399.5	1xM25	140	160	100	243	12	28	60	31	8	6306-ZZ	6205-ZZ	30*47*7	30*47*7	160	110	130	-	M8
C	5.5	2	Q2HS112M2C	Aluminium	191	399	1xM25	140	190	112	254	12	28	60	31	8	6306-ZZ	6205-ZZ	30*47*7	30*47*7	160	110	130	-	M8
	5.5	2	Q2HS132S2B	Aluminium	210	422	1xM25	140-178	216	132	283	12	38	80	41	10	6208-ZZ	6206-ZZ	40*62*10	30*47*7	200	130	165	-	M10
C	5.5	4	Q2HI12M4D	Aluminium	210	421	1xM25	140	190	112	265	12	28	60	31	8	6306-ZZ	6206-ZZ	30*47*7	30*47*7	160	110	130	-	M8
	5.5	4	Q2HS132S4A	Aluminium	210	422	1xM25	140-178	216	132	283	12	38	80	41	10	6208-ZZ	6206-ZZ	40*62*10	30*47*7	200	130	165	-	M10
	5.5	6	Q2HI32M6C	Aluminium	260	481	1xM32	140-178	216	132	312	12	38	80	41	10	6208-ZZ	6208-ZZ	40*62*10	40*62*10	200	130	165	-	M10
SC	7.5	2	Q2HI00L2E	Aluminium	191	422	1xM25	140	160	100	243	12	28	60	31	8	6306-ZZ	6205-ZZ	30*47*7	30*47*7	160	110	130	-	M8
C	7.5	2	Q2HS112M2D	Aluminium	191	421	1xM25	140	190	112	254	12	28	60	31	8	6306-ZZ	6205-ZZ	30*47*7	25*40*7	160	110	130	-	M8
	7.5	2	Q2HS132S2C	Aluminium	210	422	1xM25	140-178	216	132	283	12	38	80	41	10	6208-ZZ	6206-ZZ	40*62*10	30*47*7	200	130	165	-	M10
	7.5	4	Q2HI32M4C	Aluminium	260	481	1xM32	140-178	216	132	312	12	38	80	41	10	6208-ZZ	6208-ZZ	40*62*10	40*62*10	200	130	165	-	M10
C	11	2	Q2HI32M2A	Aluminium	260	481	1xM32	140-178	216	132	312	12	38	80	41	10	6208-ZZ	6208-ZZ	40*62*10	40*62*10	200	130	165	-	M10
C	11	4	Q2HI32M4D	Aluminium	260	539	1xM32	140-178	216	132	312	12	38	80	41	10	6208-ZZ	6208-ZZ	40*62*10	40*62*10	200	130	165	-	M10
C	15	2	Q2HI32M2B	Aluminium	260	539	1xM32	140-178	216	132	312	12	38	80	41	10	6208-ZZ	6208-ZZ	40*62*10	40*62*10	200	130	165	-	M10
C	15	4	Q2HI32M4E	Aluminium	260	539	1xM32	140-178	216	132	312	12	38	80	41	10	6208-ZZ	6208-ZZ	40*62*10	40*62*10	200	130	165	-	M10
C	18.5	2	Q2HI32M2C	Aluminium	260	539	1xM32	140-178	216	132	312	12	38	80	41	10	6208-ZZ	6208-ZZ	40*62*10	40*62*10	200	130	165	-	M10

DIMENSION - B14b, B34b



SIZE	Power [kW]	Number of Poles	Motor Type	Housing Type	Main Dimensions			Foot Mounted Motors					Shaft				Bearing		Seal		Flange [FC] (B14a)				
					AC	L	O	B	A	H	HD	K	D ⁽¹⁾	E	GA	F ⁽²⁾	Drive Side	Non drive Side	Drive Side	Non drive Side	P	N ⁽³⁾	M	R	S
	0.12	4	Q2E63M4A	Aluminium	123	220	1xM20	80	100	63	162	7	11	23	12.5	4	6201-ZZ	6201-ZZ	12*22*7	12*22*7	120	80	100	-	M6
	0.18	2	Q2E63M2A	Aluminium	123	220	1xM20	80	100	63	162	7	11	23	12.5	4	6201-ZZ	6201-ZZ	12*22*7	12*22*7	120	80	100	-	M6
	0.18	4	Q2E63M4B	Aluminium	123	220	1xM20	80	100	63	162	7	11	23	12.5	4	6201-ZZ	6201-ZZ	12*22*7	12*22*7	120	80	100	-	M6
	0.25	2	Q2E63M2B	Aluminium	123	220	1xM20	80	100	63	162	7	11	23	12.5	4	6201-ZZ	6201-ZZ	12*22*7	12*22*7	120	80	100	-	M6
	0.25	4	Q2E71M4C	Aluminium	138	253	1xM20	90	112	71	190	7	14	30	16	5	6202-ZZ	6202-ZZ	15*24*5	15*24*5	140	95	115	-	M8
	0.37	2	Q2E71M2C	Aluminium	138	253	1xM20	90	112	71	190	7	14	30	16	5	6202-ZZ	6202-ZZ	15*24*5	15*24*5	140	95	115	-	M8
	0.37	4	Q2E71M4D	Aluminium	138	253	1xM20	90	112	71	190	7	14	30	16	5	6202-ZZ	6202-ZZ	15*24*5	15*24*5	140	95	115	-	M8
	0.55	2	Q2E71M2D	Aluminium	138	253	1xM20	90	112	71	190	7	14	30	16	5	6202-ZZ	6202-ZZ	15*24*5	15*24*5	140	95	115	-	M8
	0.55	4	Q2H80M4B	Aluminium	158	268	1xM20	100	125	80	216	10	19	40	21.5	6	6204-ZZ	6204-ZZ	20*30*7	20*30*7	160	110	130	-	M8
	0.75	2	Q2H80M2B	Aluminium	158	268	1xM20	100	125	80	216	10	19	40	21.5	6	6204-ZZ	6204-ZZ	20*30*7	20*30*7	160	110	130	-	M8
	0.75	4	Q2H80M4C	Aluminium	158	268	1xM20	100	125	80	216	10	19	40	21.5	6	6204-ZZ	6204-ZZ	20*30*7	20*30*7	160	110	130	-	M8
	0.75	6	Q2H90S6B	Aluminium	172	344	1xM25	100-125	140	90	223	10	24	50	27	8	6305-ZZ	6205-ZZ	25*40*7	25*40*7	160	110	130	-	M8
	1.1	2	Q2H80M2C	Aluminium	158	268	1xM20	100	125	80	216	10	19	40	21.5	6	6204-ZZ	6204-ZZ	20*30*7	20*30*7	160	110	130	-	M8
C	1.1	4	Q2H80M4D	Aluminium	158	268	1xM20	100	125	80	216	10	19	40	21.5	6	6204-ZZ	6204-ZZ	20*30*7	20*30*7	160	110	130	-	M8
	1.1	4	Q2HS90S4B	Aluminium	158	278	1xM25	100-125	140	90	213	10	24	50	27	8	6305-ZZ	6204-ZZ	25*40*7	20*30*7	160	110	130	-	M8
	1.1	6	Q2H90L6C	Aluminium	172	344	1xM25	100-125	140	90	223	10	24	50	27	8	6305-ZZ	6205-ZZ	25*40*7	25*40*7	160	110	130	-	M8
C	1.5	2	Q2H80M2D	Aluminium	158	268	1xM20	100	125	80	216	10	19	40	21.5	6	6204-ZZ	6204-ZZ	20*30*7	20*30*7	160	110	130	-	M8
	1.5	2	Q2HS90S2B	Aluminium	158	278	1xM25	100-125	140	90	213	10	24	50	27	8	6305-ZZ	6204-ZZ	25*40*7	20*30*7	160	110	130	-	M8
C	1.5	4	Q2H80M4DE	Aluminium	158	268	1xM20	100	125	80	216	10	19	40	21.5	6	6204-ZZ	6204-ZZ	20*30*7	20*30*7	160	110	130	-	M8
	1.5	4	Q2HS90L4C	Aluminium	158	303	1xM25	100-125	140	90	213	10	24	50	27	8	6305-ZZ	6204-ZZ	25*40*7	20*30*7	160	110	130	-	M8
	1.5	6	Q2HI00L6C	Aluminium	191	400	1xM25	140	160	100	243	12	28	60	31	8	6306-ZZ	6205-ZZ	30*47*7	30*47*7	200	130	165	-	M10
C	2.2	2	Q2H80M2DE	Aluminium	158	268	1xM20	100	125	80	216	10	19	40	21.5	6	6204-ZZ	6204-ZZ	20*30*7	20*30*7	160	110	130	-	M8
	2.2	2	Q2HS90L2C	Aluminium	158	303	1xM25	100-125	140	90	213	10	24	50	27	8	6305-ZZ	6204-ZZ	25*40*7	20*30*7	160	110	130	-	M8
C	2.2	4	Q2H90L4D	Aluminium	172	344	1xM25	100-125	140	90	223	10	24	50	27	8	6305-ZZ	6205-ZZ	25*40*7	25*40*7	160	110	130	-	M8
	2.2	4	Q2HS100L4B	Aluminium	172	349	1xM25	140	160	100	233	12	28	60	31	8	6306-ZZ	6205-ZZ	30*47*7	25*40*7	200	130	165	-	M10
	2.2	6	Q2HI12M6C	Aluminium	210	396	1xM25	140	190	112	265	12	28	60	31	8	6306-ZZ	6206-ZZ	30*47*7	30*47*7	200	130	165	-	M10
C	3	2	Q2H90L2D	Aluminium	172	344	1xM25	100-125	140	90	223	10	24	50	27	8	6305-ZZ	6205-ZZ	25*40*7	25*40*7	160	110	130	-	M8
	3	2	Q2HS100L2B	Aluminium	172	349	1xM25	140	160	100	233	12	28	60	31	8	6306-ZZ	6205-ZZ	30*47*7	25*40*7	200	130	165	-	M10
C	3	4	Q2H90L4DE	Aluminium	172	379	1xM25	100-125	140	90	223	10	24	50	27	8	6305-ZZ	6205-ZZ	25*40*7	25*40*7	160	110	130	-	M8
	3	4	Q2HS100L4C	Aluminium	172	384	1xM25	140	160	100	233	12	28	60	31	8	6306-ZZ	6205-ZZ	30*47*7	25*40*7	200	130	165	-	M10
	3	6	Q2HI32M6A	Aluminium	260	481	1xM32	140-178	216	132	312	12	38	80	41	10	6208-ZZ	6208-ZZ	40*62*10	40*62*10	250	180	215	-	M12

(1) Tolerance DIN EN 50347 "j6" up to 28mm, "k6" above 28mm

(2) According to DIN 6885

(3) Tolerance DIN EN 50347 "j6"

IE2 THREE PHASE ALUMINIUM MOTORS



SIZE	Power [kW]	Number of Poles	Motor Type	Housing Type	Main Dimensions			Foot Mounted Motors					Shaft				Bearing		Seal		Flange [FC] [B14a]				
					AC	L	O	B	A	H	HD	K	D ⁽¹⁾	E	GA	F ⁽²⁾	Drive Side	Non drive Side	Drive Side	Non drive Side	P	N ⁽³⁾	M	R	S
SC	4	2	Q2H90L2DE	Aluminium	172	379	1xM25	100-125	140	90	223	10	24	50	27	8	6305-ZZ	6205-ZZ	25*40*7	25*40*7	160	110	130	-	M8
C	4	2	Q2HS100L2C	Aluminium	172	384	1xM25	140	160	100	233	12	28	60	31	8	6306-ZZ	6205-ZZ	30*47*7	25*40*7	200	130	165	-	M10
	4	2	Q2HS112M2B	Aluminium	191	399	1xM25	140	190	112	254	12	28	60	31	8	6306-ZZ	6205-ZZ	30*47*7	25*40*7	200	130	165	-	M10
C	4	4	Q2HI00L4D	Aluminium	191	400	1xM25	140	160	100	243	12	28	60	31	8	6306-ZZ	6205-ZZ	30*47*7	30*47*7	200	130	165	-	M10
	4	4	Q2HS112M4C	Aluminium	191	399	1xM25	140	190	112	254	12	28	60	31	8	6306-ZZ	6205-ZZ	30*47*7	25*40*7	200	130	165	-	M10
SC	4	6	Q2HI32M6B	Aluminium	260	481	1xM32	140-178	216	132	312	12	38	80	41	10	6208-ZZ	6208-ZZ	40*62*10	40*62*10	250	180	215	-	M12
	5.5	2	Q2HI00L2DE	Aluminium	192	400	1xM25	140	160	100	243	12	28	60	31	8	6306-ZZ	6205-ZZ	30*47*7	30*47*7	200	130	165	-	M10
C	5.5	2	Q2HS112M2C	Aluminium	191	399	1xM25	140	190	112	254	12	28	60	31	8	6306-ZZ	6205-ZZ	30*47*7	25*40*7	200	130	165	-	M10
	5.5	2	Q2HS132S2B	Aluminium	210	422	1xM25	140-178	216	132	283	12	38	80	41	10	6208-ZZ	6206-ZZ	40*62*10	30*47*7	250	180	215	-	M12
C	5.5	4	Q2HI12M4D	Aluminium	210	421	1xM25	140	190	112	265	12	28	60	31	8	6306-ZZ	6206-ZZ	30*47*7	30*47*7	200	130	165	-	M10
	5.5	4	Q2HS132S4A	Aluminium	210	422	1xM25	140-178	216	132	283	12	38	80	41	10	6208-ZZ	6206-ZZ	40*62*10	30*47*7	250	180	215	-	M12
	5.5	6	Q2HI32M6C	Aluminium	260	481	1xM32	140-178	216	132	312	12	38	80	41	10	6208-ZZ	6208-ZZ	40*62*10	40*62*10	250	180	215	-	M12
SC	7.5	2	Q2HI00L2E	Aluminium	192	422	1xM25	140	160	100	243	12	28	60	31	8	6306-ZZ	6205-ZZ	30*47*7	30*47*7	200	130	165	-	M10
C	7.5	2	Q2HS112M2D	Aluminium	191	421	1xM25	140	190	112	254	12	28	60	31	8	6306-ZZ	6205-ZZ	30*47*7	25*40*7	200	130	165	-	M10
	7.5	2	Q2HS132S2C	Aluminium	210	422	1xM25	140-178	216	132	283	12	38	80	41	10	6208-ZZ	6206-ZZ	40*62*10	30*47*7	250	180	215	-	M12
C	7.5	4	Q2HI32M4C	Aluminium	260	481	1xM32	140-178	216	132	312	12	38	80	41	10	6208-ZZ	6208-ZZ	40*62*10	40*62*10	250	180	215	-	M12
	11	2	Q2HI32M2A	Aluminium	260	481	1xM32	140-178	216	132	312	12	38	80	41	10	6208-ZZ	6208-ZZ	40*62*10	40*62*10	250	180	215	-	M12
C	11	4	Q2HI32M4D	Aluminium	260	539	1xM32	140-178	216	132	312	12	38	80	41	10	6208-ZZ	6208-ZZ	40*62*10	40*62*10	250	180	215	-	M12
C	15	2	Q2HI32M2B	Aluminium	260	539	1xM32	140-178	216	132	312	12	38	80	41	10	6208-ZZ	6208-ZZ	40*62*10	40*62*10	250	180	215	-	M12
C	15	4	Q2HI32M4E	Aluminium	260	539	1xM32	140-178	216	132	312	12	38	80	41	10	6208-ZZ	6208-ZZ	40*62*10	40*62*10	250	180	215	-	M12
C	18.5	2	Q2HI32M2C	Aluminium	260	539	1xM32	140-178	216	132	312	12	38	80	41	10	6208-ZZ	6208-ZZ	40*62*10	40*62*10	250	180	215	-	M12