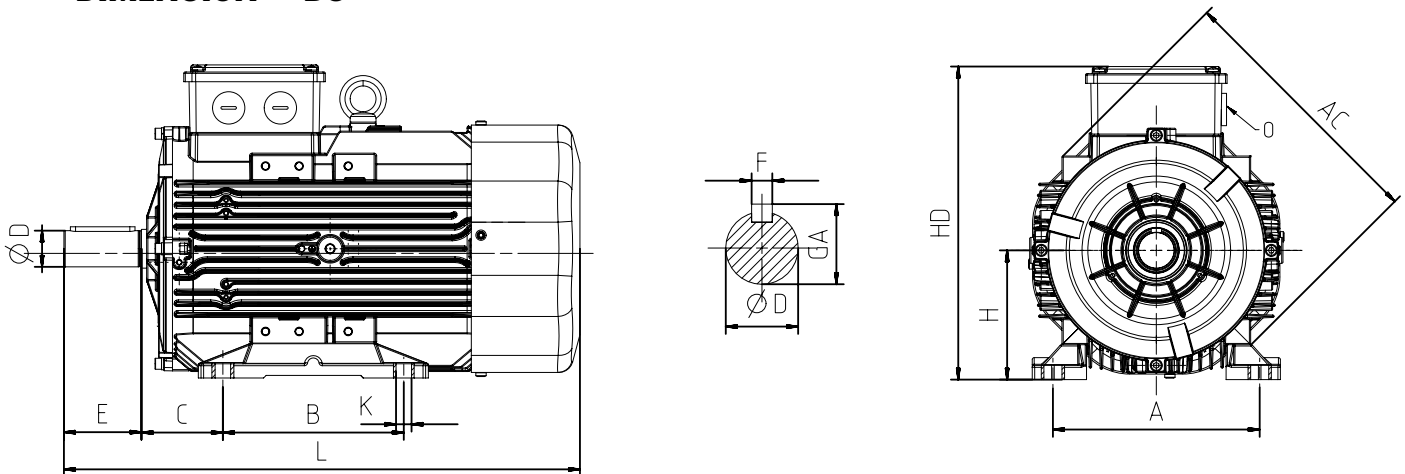


# IE3 THREE PHASE ALUMINIUM MOTORS

## DIMENSION - B3



SIZE	Power [kW]	Number of Poles	Motor Type	Housing Type	Main Dimensions			Foot Mounted Motors					Shaft				Bearing		Seal		
					AC	L	O	B	A	H	HD	K	C	D <sup>(1)</sup>	E	GA	F <sup>(2)</sup>	Drive Side	Non drive Side	Drive Side	Non drive Side
	0.75	2	Q3H80M2C	Aluminium	158	268	1xM20	100	125	80	216	10	50	19	40	21.5	6	6204-ZZ	6204-ZZ	20*30*7	20*30*7
	0.75	4	Q3H80M4D	Aluminium	158	268	1xM20	100	125	80	216	10	50	19	40	21.5	6	6204-ZZ	6204-ZZ	20*30*7	20*30*7
	0.75	6	Q3H90L6C	Aluminium	172	344	1xM25	100-125	140	90	223	10	56	24	50	27	8	6305-ZZ	6205-ZZ	25*40*7	25*40*7
	1.1	2	Q3H80M2D	Aluminium	158	268	1xM20	100	125	80	216	10	50	19	40	21.5	6	6204-ZZ	6204-ZZ	20*30*7	20*30*7
C	1.1	4	Q3H80M4DE	Aluminium	158	268	1xM20	100	125	80	216	10	50	19	40	21.5	6	6204-ZZ	6204-ZZ	20*30*7	20*30*7
	1.1	4	Q3HS90S4C	Aluminium	158	303	1xM25	100-125	140	90	213	10	56	24	50	27	8	6305-ZZ	6204-ZZ	25*40*7	20*30*7
	1.1	6	Q3H90L6D	Aluminium	172	344	1xM25	100-125	140	90	223	10	56	24	50	27	8	6305-ZZ	6205-ZZ	25*40*7	25*40*7
C	1.5	2	Q3H80M2DE	Aluminium	158	268	1xM20	100	125	80	216	10	50	19	40	21.5	6	6204-ZZ	6204-ZZ	20*30*7	20*30*7
	1.5	2	Q3HS90S2C	Aluminium	158	303	1xM25	100-125	140	90	213	10	56	24	50	27	8	6305-ZZ	6204-ZZ	25*40*7	20*30*7
	1.5	4	Q3H90L4D	Aluminium	172	344	1xM25	100-125	140	90	223	10	56	24	50	27	8	6305-ZZ	6205-ZZ	25*40*7	25*40*7
	1.5	6	Q3H100L6D	Aluminium	191	400	1xM25	140	160	100	243	12	63	28	60	31	8	6306-ZZ	6205-ZZ	30*47*7	30*47*7
	2.2	2	Q3H90L2D	Aluminium	172	344	1xM25	100-125	140	90	223	10	56	24	50	27	8	6305-ZZ	6205-ZZ	25*40*7	25*40*7
C	2.2	4	Q3H90L4DE	Aluminium	172	344	1xM25	100-125	140	90	223	10	56	24	50	27	8	6305-ZZ	6205-ZZ	25*40*7	25*40*7
	2.2	4	Q3HS100L4C	Aluminium	172	384	1xM25	140	160	100	233	12	63	28	60	31	8	6306-ZZ	6205-ZZ	30*47*7	25*40*7
	2.2	6	Q3H112M6D	Aluminium	210	396	1xM25	140	190	112	265	12	70	28	60	31	8	6306-ZZ	6206-ZZ	30*47*7	30*47*7
C	3	2	Q3H90L2E	Aluminium	172	344	1xM25	100-125	140	90	223	10	56	24	50	27	8	6305-ZZ	6205-ZZ	25*40*7	25*40*7
	3	2	Q3HS100L2C	Aluminium	172	349	1xM25	140	160	100	233	12	63	28	60	31	8	6306-ZZ	6205-ZZ	30*47*7	25*40*7
	3	4	Q3H100L4D	Aluminium	191	400	1xM25	140	160	100	243	12	63	28	60	31	8	6306-ZZ	6205-ZZ	30*47*7	30*47*7
	3	6	Q3H132S6A	Aluminium	260	481	1xM32	140-178	216	132	312	12	89	38	80	41	10	6208-ZZ	6208-ZZ	40*62*10	40*62*10
C	4	2	Q3H100L2DE	Aluminium	191	400	1xM25	140	160	100	243	12	63	28	60	31	8	6306-ZZ	6205-ZZ	30*47*7	30*47*7
	4	2	Q3HS112M2C	Aluminium	191	400	1xM25	140	190	112	254	12	70	28	60	31	8	6306-ZZ	6205-ZZ	30*47*7	25*40*7
C	4	4	Q3H100L4E	Aluminium	191	422	1xM25	140	160	100	243	12	63	28	60	31	8	6306-ZZ	6205-ZZ	30*47*7	30*47*7
	4	4	Q3H112M4D	Aluminium	210	396	1xM25	140	190	112	265	12	70	28	60	31	8	6306-ZZ	6206-ZZ	30*47*7	30*47*7
	4	6	Q3H132M6A	Aluminium	260	481	1xM32	140-178	216	132	312	12	89	38	80	41	10	6208-ZZ	6208-ZZ	40*62*10	40*62*10
SC	5.5	2	Q3H100L2E	Aluminium	192	411	1xM25	140	160	100	243	12	63	28	60	31	8	6306-ZZ	6205-ZZ	30*47*7	30*47*7
C	5.5	2	Q3H112M2D	Aluminium	210	396	1xM25	140	190	112	265	12	70	28	60	31	8	6306-ZZ	6206-ZZ	30*47*7	30*47*7
	5.5	2	Q3HS132S2C	Aluminium	210	422	1xM25	140-178	216	132	283	12	89	38	80	41	10	6208-ZZ	6206-ZZ	40*62*10	30*47*7
C	5.5	4	Q3H112M4E	Aluminium	210	421	1xM25	140	190	112	265	12	70	28	60	31	8	6306-ZZ	6206-ZZ	30*47*7	30*47*7
	5.5	4	Q3H132S4B	Aluminium	260	481	1xM32	140-178	216	132	312	12	89	38	80	41	10	6208-ZZ	6208-ZZ	40*62*10	40*62*10
	5.5	6	Q3H132M6B	Aluminium	260	481	1xM32	140-178	216	132	312	12	89	38	80	41	10	6208-ZZ	6208-ZZ	40*62*10	40*62*10
C	7.5	2	Q3H112M2DE	Aluminium	210	421	1xM25	140	190	112	265	12	70	28	60	31	8	6306-ZZ	6206-ZZ	30*47*7	30*47*7
	7.5	2	Q3HS132S2D	Aluminium	210	448	1xM25	140-178	216	132	283	12	89	38	80	41	10	6208-ZZ	6206-ZZ	40*62*10	30*47*7
	7.5	4	Q3H132M4D	Aluminium	260	481	1xM32	140-178	216	132	312	12	89	38	80	41	10	6208-ZZ	6208-ZZ	40*62*10	40*62*10
	7.5	6	Q3H160M6C	Aluminium	305	591	1xM32	210-254	254	160	368	14.5	108	42	110	45	12	6309-ZZ	6209-ZZ	45*72*10	45*72*10

(1) Tolerance DIN EN 50347 "j6" up to 28mm, "k6" above 28mm  
 (2) According to DIN 6885

# IE3 THREE PHASE ALUMINIUM MOTORS

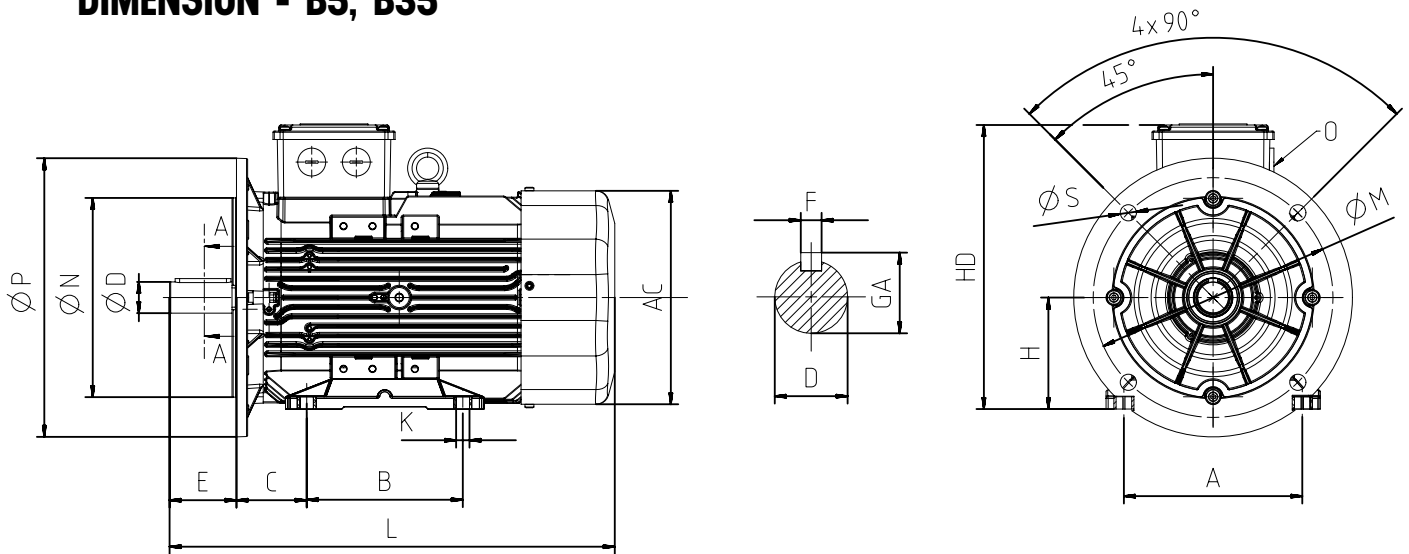


SIZE	Power [kW]	Number of Poles	Motor Type	Housing Type	Main Dimensions			Foot Mounted Motors						Shaft				Bearing		Seal	
					AC	L	O	B	A	H	HD	K	C	D <sup>(1)</sup>	E	GA	F <sup>(2)</sup>	Drive Side	Non drive Side	Drive Side	Non drive Side
C	11	2	Q3HI32M2A	Aluminium	260	481	1xM32	140-178	216	132	312	12	89	38	80	41	10	6208-ZZ	6208-ZZ	40*62*10	40*62*10
	11	2	Q3HS160M2D	Aluminium	260	520	1xM32	210-254	254	160	351	14.5	108	42	110	45	12	6309-ZZ	6208-ZZ	45*72*10	40*62*10
C	11	4	Q3HI32M4E	Aluminium	260	520	1xM32	140-178	216	132	312	12	89	38	80	41	10	6309-ZZ	6209-ZZ	40*62*10	40*62*10
	11	4	Q3HS160M4C	Aluminium	260	578	1xM32	210-254	254	160	351	14.5	108	42	110	45	12	6309-ZZ	6208-ZZ	45*72*10	40*62*10
	11	6	Q3HI60L6D	Aluminium	305	591	1xM32	210-254	254	160	368	14.5	108	42	110	45	12	6309-ZZ	6209-ZZ	45*72*10	45*72*10
C	15	2	Q3HI32M2B	Aluminium	260	520	1xM32	140-178	216	132	312	12	89	38	80	41	10	6208-ZZ	6208-ZZ	40*62*10	40*62*10
	15	2	Q3HS160M2DE	Aluminium	260	580	1xM32	210-254	254	160	351	14.5	108	42	110	45	12	6309-ZZ	6208-ZZ	45*72*10	40*62*10
	15	4	Q3HI60L4B	Aluminium	305	591	1xM32	210-254	254	160	368	14.5	108	42	110	45	12	6309-ZZ	6209-ZZ	45*72*10	45*72*10
	15	6	Q3HI80L6B	Aluminium	349	696	1xM40	241-279	279	180	437	14.5	121	48	110	51.5	14	6310-ZZ	6310-ZZ	50*80*10	50*80*10
	18.5	2	Q3HI60L2C	Aluminium	305	591	1xM32	210-254	254	160	368	14.5	108	42	110	45	12	6309-ZZ	6209-ZZ	45*72*10	45*72*10
C	18.5	4	Q3HI60L4C	Aluminium	305	591	1xM32	210-254	254	160	368	14.5	108	42	110	45	12	6309-ZZ	6209-ZZ	45*72*10	45*72*10
	18.5	4	Q3HS180M4B	Aluminium	305	596	1xM32	241-279	279	180	398	14.5	121	48	110	51.5	14	6310-ZZ	6209-ZZ	50*80*10	45*72*10
	18.5	6	Q3H200L6C	Aluminium	349	750	1xM50	305	318	200	455	18.5	133	55	110	59	16	6312-ZZ	6310-ZZ	60*90*10	60*90*10
C	22	2	Q3HI60L2D	Aluminium	305	591	1xM32	210-254	254	160	368	14.5	108	42	110	45	12	6309-ZZ	6209-ZZ	45*72*10	45*72*10
	22	2	Q3HS180M2B	Aluminium	305	596	1xM32	241-279	279	180	398	14.5	121	48	110	51.5	14	6310-ZZ	6209-ZZ	50*80*10	45*72*10
	22	4	Q3HI80L4B	Aluminium	349	696	1xM40	241-279	279	180	437	14.5	121	48	110	51.5	14	6310-ZZ	6310-ZZ	50*80*10	50*80*10
	22	6	Q3H200L6D	Aluminium	349	759	1xM50	267-305	318	200	455	18.5	133	55	110	59	16	6312-ZZ	6310-ZZ	60*90*10	60*90*10
C	30	2	Q3HI80M2B	Aluminium	349	696	1xM40	241-279	279	180	437	14.5	121	48	110	51.5	14	6310-ZZ	6310-ZZ	50*80*10	50*80*10
	30	2	Q3H200L2C	Aluminium	349	706	1xM50	267-305	318	200	455	18.5	133	55	110	59	16	6312-ZZ	6310-ZZ	60*90*10	60*90*10
C	30	4	Q3HI80L4C	Aluminium	349	696	1xM40	241-279	279	180	437	14.5	121	48	110	51.5	14	6310-ZZ	6310-ZZ	50*80*10	50*80*10
	30	4	Q3H200L4D	Aluminium	349	759	1xM50	267-305	318	200	455	18.5	133	55	110	59	16	6312-ZZ	6310-ZZ	60*90*10	60*90*10
	30	6	Q3E225M6C	Aluminium	456	765	1xM50	286-311	356	225	485	18.5	149	60	140	64	18	6313-ZZ	6313-ZZ	65*100*13	65*100*13
	37	2	Q3H200L2D	Aluminium	349	706	1xM50	305	318	200	455	18.5	133	55	110	59	16	6312-ZZ	6310-ZZ	60*90*10	60*90*10
	37	4	Q3E225M4B	Aluminium	456	765	1xM50	286-311	356	225	485	18.5	149	60	140	64	18	6313-ZZ	6313-ZZ	65*100*13	65*100*13
SC	45	2	Q3HI80L2DE	Aluminium	349	750	1xM40	241-279	279	180	437	14.5	121	48	110	51.5	14	6310-ZZ	6310-ZZ	50*80*10	50*80*10
C	45	2	Q3H200L2DE	Aluminium	349	759	1xM50	267-305	318	200	455	18.5	133	55	110	59	16	6312-ZZ	6310-ZZ	60*90*10	60*90*10
	45	2	Q3E225M2B	Aluminium	456	735	1xM50	286-311	356	225	485	18.5	149	55	110	59	16	6313-ZZ	6313-ZZ	65*100*13	65*100*13
	45	4	Q3E225M4C	Aluminium	456	765	1xM50	286-311	356	225	485	18.5	149	60	140	64	18	6313-ZZ	6313-ZZ	65*100*13	65*100*13
	55	2	Q3E250M2A	Aluminium	527	886	2xM50	349	406	250	615	24	149	60	140	64	18	6315-ZZ	6313-ZZ	75*112*12	65*100*13

(1) Tolerance DIN EN 50347 "j6" up to 28mm, "k6" above 28mm

(2) According to DIN 6885

## DIMENSION - B5, B35



SIZE	Power [kW]	Number of Poles	Motor Type	Housing Type	Main Dimensions			Foot Mounted Motors				Shaft				Bearing		Seal		Flange [FA] (B5)					
					AC	L	O	B	A	H	HD	K	D <sup>(1)</sup>	E	GA	F <sup>(2)</sup>	Drive Side	Non drive Side	Drive Side	Non drive Side	P	N <sup>(3)</sup>	M	R	S
	0.75	2	Q3H80M2C	Aluminium	158	268	1xM20	100	125	80	216	10	19	40	21.5	6	6204-ZZ	6204-ZZ	20*30*7	20*30*7	200	130	165	-	12
	0.75	4	Q3H80M4D	Aluminium	158	268	1xM20	100	125	80	216	10	19	40	21.5	6	6204-ZZ	6204-ZZ	20*30*7	20*30*7	200	130	165	-	12
	0.75	6	Q3H90L6C	Aluminium	172	344	1xM25	100-125	140	90	223	10	24	50	27	8	6305-ZZ	6205-ZZ	25*40*7	25*40*7	200	130	165	-	12
C	1.1	2	Q3H80M2D	Aluminium	158	268	1xM20	100	125	80	216	10	19	40	21.5	6	6204-ZZ	6204-ZZ	20*30*7	20*30*7	200	130	165	-	12
	1.1	4	Q3H80M4DE	Aluminium	158	268	1xM20	100	125	80	216	10	19	40	21.5	6	6204-ZZ	6204-ZZ	20*30*7	20*30*7	200	130	165	-	12
	1.1	4	Q3HS90S4C	Aluminium	158	303	1xM25	100-125	140	90	213	10	24	50	27	8	6305-ZZ	6204-ZZ	25*40*7	20*30*7	200	130	165	-	12
	1.1	6	Q3H90L6D	Aluminium	172	344	1xM25	100-125	140	90	223	10	24	50	27	8	6305-ZZ	6205-ZZ	25*40*7	25*40*7	200	130	165	-	12
C	1.5	2	Q3H80M2DE	Aluminium	158	268	1xM20	100	125	80	216	10	19	40	21.5	6	6204-ZZ	6204-ZZ	20*30*7	20*30*7	200	130	165	-	12
	1.5	2	Q3HS90S2C	Aluminium	158	303	1xM25	100-125	140	90	213	10	24	50	27	8	6305-ZZ	6204-ZZ	25*40*7	20*30*7	200	130	165	-	12
	1.5	4	Q3H90L4D	Aluminium	172	344	1xM25	100-125	140	90	223	10	24	50	27	8	6305-ZZ	6205-ZZ	25*40*7	25*40*7	200	130	165	-	12
	1.5	6	Q3HI00L6D	Aluminium	191	400	1xM25	140	160	100	243	12	28	60	31	8	6306-ZZ	6205-ZZ	30*47*7	30*47*7	250	180	215	-	14.5
C	2.2	2	Q3H90L2D	Aluminium	172	344	1xM25	100-125	140	90	223	10	24	50	27	8	6305-ZZ	6205-ZZ	25*40*7	25*40*7	200	130	165	-	12
	2.2	4	Q3H90L4DE	Aluminium	172	344	1xM25	100-125	140	90	223	10	24	50	27	8	6305-ZZ	6205-ZZ	25*40*7	25*40*7	200	130	165	-	12
	2.2	4	Q3HS100L4C	Aluminium	172	384	1xM25	140	160	100	233	12	28	60	31	8	6306-ZZ	6205-ZZ	30*47*7	25*40*7	250	180	215	-	14.5
	2.2	6	Q3HI12M6D	Aluminium	210	396	1xM25	140	190	112	265	12	28	60	31	8	6306-ZZ	6206-ZZ	30*47*7	30*47*7	250	180	215	-	14.5
C	3	2	Q3H90L2E	Aluminium	172	344	1xM25	100-125	140	90	223	10	24	50	27	8	6305-ZZ	6205-ZZ	25*40*7	25*40*7	200	130	165	-	12
	3	2	Q3HS100L2C	Aluminium	172	349	1xM25	140	160	100	233	12	28	60	31	8	6306-ZZ	6205-ZZ	30*47*7	25*40*7	250	180	215	-	14.5
	3	4	Q3HI00L4D	Aluminium	191	400	1xM25	140	160	100	243	12	28	60	31	8	6306-ZZ	6205-ZZ	30*47*7	30*47*7	250	180	215	-	14.5
	3	6	Q3HI32S6A	Aluminium	260	481	1xM32	140-178	216	132	312	12	38	80	41	10	6208-ZZ	6208-ZZ	40*62*10	40*62*10	300	230	265	-	14.5
C	4	2	Q3HI00L2DE	Aluminium	191	400	1xM25	140	160	100	243	12	28	60	31	8	6306-ZZ	6205-ZZ	30*47*7	30*47*7	250	180	215	-	14.5
	4	2	Q3HS112M2C	Aluminium	191	399	1xM25	140	190	112	254	12	28	60	31	8	6306-ZZ	6205-ZZ	30*47*7	25*40*7	250	180	215	-	14.5
	4	4	Q3HI00L4E	Aluminium	191	422	1xM25	140	160	100	243	12	28	60	31	8	6306-ZZ	6205-ZZ	30*47*7	30*47*7	250	180	215	-	14.5
	4	4	Q3HI12M4D	Aluminium	210	396	1xM25	140	190	112	265	12	28	60	31	8	6306-ZZ	6206-ZZ	30*47*7	30*47*7	250	180	215	-	14.5
	4	6	Q3HI32M6A	Aluminium	260	481	1xM32	140-178	216	132	312	12	38	80	41	10	6208-ZZ	6208-ZZ	40*62*10	40*62*10	300	230	265	-	14.5
SC	5.5	2	Q3HI00L2E	Aluminium	192	411	1xM25	140	160	100	243	12	28	60	31	8	6306-ZZ	6205-ZZ	30*47*7	30*47*7	250	180	215	-	14.5
C	5.5	2	Q3HI12M2D	Aluminium	210	396	1xM25	140	190	112	265	12	28	60	31	8	6306-ZZ	6206-ZZ	30*47*7	30*47*7	250	180	215	-	14.5
	5.5	2	Q3HS132S2C	Aluminium	210	422	1xM25	140-178	216	132	283	12	38	80	41	10	6208-ZZ	6206-ZZ	40*62*10	30*47*7	300	230	265	-	14.5
	5.5	4	Q3HI12M4E	Aluminium	210	421	1xM25	140	190	112	265	12	28	60	31	8	6306-ZZ	6206-ZZ	30*47*7	30*47*7	250	180	215	-	14.5
	5.5	4	Q3HI32S4B	Aluminium	260	481	1xM32	140-178	216	132	312	12	38	80	41	10	6208-ZZ	6208-ZZ	40*62*10	40*62*10	300	230	265	-	14.5
	5.5	6	Q3HI32M6B	Aluminium	260	481	1xM32	140-178	216	132	312	12	38	80	41	10	6208-ZZ	6208-ZZ	40*62*10	40*62*10	300	230	265	-	14.5
C	7.5	2	Q3HI12M2DE	Aluminium	210	421	1xM25	140	190	112	265	12	28	60	31	8	6306-ZZ	6206-ZZ	30*47*7	30*47*7	250	180	215	-	14.5
	7.5	2	Q3HS132S2D	Aluminium	210	448	1xM25	140-178	216	132	283	12	38	80	41	10	6208-ZZ	6206-ZZ	40*62*10	30*47*7	300	230	265	-	14.5
	7.5	4	Q3HI32M4D	Aluminium	260	481	1xM32	140-178	216	132	312	12	38	80	41	10	6208-ZZ	6208-ZZ	40*62*10	40*62*10	300	230	265	-	14.5

(1) Tolerance DIN EN 50347 "j6" up to 28mm, "k6" above 28mm

(2) According to DIN 6885

(3) Tolerance DIN EN 50347 "j6"

# IE3 THREE PHASE ALUMINIUM MOTORS



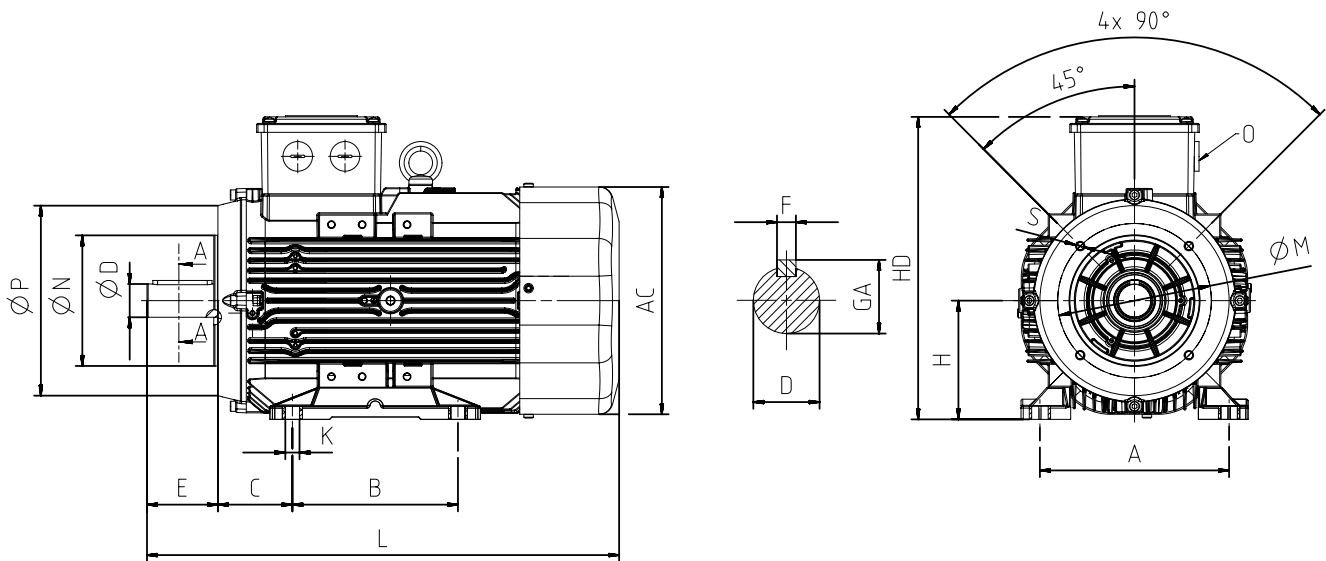
SIZE	Power [kW]	Number of Poles	Motor Type	Housing Type	Main Dimensions			Foot Mounted Motors					Shaft				Bearing		Seal		Flange [FA] [B5]				
					AC	L	O	B	A	H	HD	K	D <sup>(1)</sup>	E	GA	F <sup>(2)</sup>	Drive Side	Non drive Side	Drive Side	Non drive Side	P	N <sup>(3)</sup>	M	R	S
C	7.5	6	Q3HI60M6C	Aluminium	305	591	1xM32	210-254	254	160	368	14.5	42	110	45	12	6309-ZZ	6209-ZZ	45*72*10	45*72*10	350	250	300	-	18.5
C	11	2	Q3HI32M2A	Aluminium	260	481	1xM32	140-178	216	132	312	12	38	80	41	10	6208-ZZ	6208-ZZ	40*62*10	40*62*10	300	230	265	-	14.5
C	11	2	Q3HS160M2D	Aluminium	260	520	1xM32	210-254	254	160	351	14.5	42	110	45	12	6309-ZZ	6208-ZZ	45*72*10	40*62*10	350	250	300	-	18.5
C	11	4	Q3HI32M4E	Aluminium	260	520	1xM32	140-178	216	132	312	12	38	80	41	10	6309-ZZ	6209-ZZ	40*62*10	40*62*10	300	230	265	-	14.5
C	11	4	Q3HS160M4C	Aluminium	260	580	1xM32	210-254	254	160	351	14.5	42	110	45	12	6309-ZZ	6208-ZZ	45*72*10	40*62*10	350	250	300	-	18.5
C	11	6	Q3HI60L6D	Aluminium	305	591	1xM32	210-254	254	160	368	14.5	42	110	45	12	6309-ZZ	6209-ZZ	45*72*10	45*72*10	350	250	300	-	18.5
C	15	2	Q3HI32M2B	Aluminium	260	520	1xM32	140-178	216	132	312	12	38	80	41	10	6208-ZZ	6208-ZZ	40*62*10	40*62*10	300	230	265	-	14.5
C	15	2	Q3HS160M2DE	Aluminium	260	580	1xM32	210-254	254	160	351	14.5	42	110	45	12	6309-ZZ	6208-ZZ	45*72*10	40*62*10	350	250	300	-	18.5
C	15	4	Q3HI60L4B	Aluminium	305	591	1xM32	210-254	254	160	368	14.5	42	110	45	12	6309-ZZ	6209-ZZ	45*72*10	45*72*10	350	250	300	-	18.5
C	15	6	Q3HI80L6B	Aluminium	349	696	1xM40	241-279	279	180	437	14.5	48	110	51.5	14	6310-ZZ	6310-ZZ	50*80*10	50*80*10	350	250	300	-	18.5
C	18.5	4	Q3HI60L4C	Aluminium	305	591	1xM32	210-254	254	160	368	14.5	42	110	45	12	6309-ZZ	6209-ZZ	45*72*10	45*72*10	350	250	300	-	18.5
C	18.5	4	Q3HS180M4B	Aluminium	305	596	1xM32	241-279	279	180	398	14.5	48	110	51.5	14	6310-ZZ	6209-ZZ	50*80*10	45*72*10	350	250	300	-	18.5
C	18.5	6	Q3H200L6C	Aluminium	349	750	1xM50	305	318	200	455	18.5	55	110	59	16	6312-ZZ	6310-ZZ	60*90*10	60*90*10	400	300	350	-	18.5
C	22	2	Q3HI60L2D	Aluminium	305	591	1xM32	210-254	254	160	368	14.5	42	110	45	12	6309-ZZ	6209-ZZ	45*72*10	45*72*10	350	250	300	-	18.5
C	22	2	Q3HS180M2B	Aluminium	305	596	1xM32	241-279	279	180	398	14.5	48	110	51.5	14	6310-ZZ	6209-ZZ	50*80*10	45*72*10	350	250	300	-	18.5
C	22	4	Q3HI80L4B	Aluminium	349	696	1xM40	241-279	279	180	437	14.5	48	110	51.5	14	6310-ZZ	6310-ZZ	50*80*10	50*80*10	350	250	300	-	18.5
C	22	6	Q3H200L6D	Aluminium	349	759	1xM50	305	318	200	455	18.5	55	110	59	16	6312-ZZ	6310-ZZ	60*90*10	60*90*10	400	300	350	-	18.5
C	30	2	Q3HI80M2B	Aluminium	349	696	1xM40	241-279	279	180	437	14.5	48	110	51.5	14	6310-ZZ	6310-ZZ	50*80*10	50*80*10	350	250	300	-	18.5
C	30	2	Q3H200L2C	Aluminium	349	706	1xM50	305	318	200	455	18.5	55	110	59	16	6312-ZZ	6310-ZZ	60*90*10	60*90*10	400	300	350	-	18.5
C	30	4	Q3HI80L4C	Aluminium	349	696	1xM40	241-279	279	180	437	14.5	48	110	51.5	14	6310-ZZ	6310-ZZ	50*80*10	50*80*10	350	250	300	-	18.5
C	30	4	Q3H200L4D	Aluminium	349	759	1xM50	305	318	200	455	18.5	55	110	59	16	6312-ZZ	6310-ZZ	60*90*10	60*90*10	400	300	350	-	18.5
C	30	6	Q3E225M6C	Aluminium	456	765	1xM50	286-311	356	225	485	18.5	60	140	64	18	6313-ZZ	6313-ZZ	65*100*13	65*100*13	450	350	400	-	18.5
C	37	2	Q3H200L2D	Aluminium	349	706	1xM50	305	318	200	455	18.5	55	110	59	16	6312-ZZ	6310-ZZ	60*90*10	60*90*10	400	300	350	-	18.5
C	37	4	Q3E225M4B	Aluminium	456	765	1xM50	286-311	356	225	485	18.5	60	140	64	18	6313-ZZ	6313-ZZ	65*100*13	65*100*13	450	350	400	-	18.5
SC	45	2	Q3HI80L2DE	Aluminium	349	750	1xM40	241-279	279	180	437	14.5	48	110	51.5	14	6310-ZZ	6310-ZZ	50*80*10	50*80*10	350	250	300	-	18.5
C	45	2	Q3H200L2DE	Aluminium	349	759	1xM50	267-305	318	200	455	18.5	55	110	59	16	6312-ZZ	6310-ZZ	60*90*10	60*90*10	400	300	350	-	18.5
C	45	2	Q3E225M2B	Aluminium	456	735	1xM50	286-311	356	225	485	18.5	55	110	59	16	6313-ZZ	6313-ZZ	65*100*13	65*100*13	450	350	400	-	18.5
C	45	4	Q3E225M4C	Aluminium	456	765	1xM50	286-311	356	225	485	18.5	60	140	64	18	6313-ZZ	6313-ZZ	65*100*13	65*100*13	450	350	400	-	18.5
C	55	2	Q3E250M2A	Aluminium	527	886	2*M50	349	406	250	615	24	60	140	64	18	6315-ZZ	6313-ZZ	75*112*12	65*100*13	550	450	500	-	18.5

(1) Tolerance DIN EN 50347 "j6" up to 28mm, "k6" above 28mm

(2) According to DIN 6885

(3) Tolerance DIN EN 50347 "j6"

## DIMENSION - B14a, B34a



SIZE	Power [kW]	Number of Poles	Motor Type	Housing Type	Main Dimensions			Foot Mounted Motors				Shaft				Bearing		Seal		Flange [FC] [B14a]					
					AC	L	O	B	A	H	HD	K	D <sup>(1)</sup>	E	GA	F <sup>(2)</sup>	Drive Side	Non drive Side	Drive Side	Non drive Side	P	N <sup>(3)</sup>	M	R	S
	0.75	2	Q3H80M2C	Aluminium	158	268	1xM20	100	125	80	216	10	19	40	21.5	6	6204-ZZ	6204-ZZ	20*30*7	20*30*7	120	80	100	-	M6
	0.75	4	Q3H80M4D	Aluminium	158	268	1xM20	100	125	80	216	10	19	40	21.5	6	6204-ZZ	6204-ZZ	20*30*7	20*30*7	120	80	100	-	M6
	0.75	6	Q3H90L6C	Aluminium	172	344	1xM25	100-125	140	90	223	10	24	50	27	8	6305-ZZ	6205-ZZ	25*40*7	25*40*7	140	95	115	-	M8
	1.1	2	Q3H80M2D	Aluminium	158	268	1xM20	100	125	80	216	10	19	40	21.5	6	6204-ZZ	6204-ZZ	20*30*7	20*30*7	120	80	100	-	M6
C	1.1	4	Q3H80M4DE	Aluminium	158	268	1xM20	100	125	80	216	10	19	40	21.5	6	6204-ZZ	6204-ZZ	20*30*7	20*30*7	120	80	100	-	M6
	1.1	4	Q3HS90S4C	Aluminium	158	303	1xM25	100-125	140	90	213	10	24	50	27	8	6305-ZZ	6204-ZZ	25*40*7	20*30*7	140	95	115	-	M8
	1.1	6	Q3H90L6D	Aluminium	172	344	1xM25	100-125	140	90	223	10	24	50	27	8	6305-ZZ	6205-ZZ	25*40*7	25*40*7	140	95	115	-	M8
C	1.5	2	Q3H80M2DE	Aluminium	158	268	1xM20	100	125	80	216	10	19	40	21.5	6	6204-ZZ	6204-ZZ	20*30*7	20*30*7	120	80	100	-	M6
	1.5	2	Q3HS90S2C	Aluminium	158	303	1xM25	100-125	140	90	213	10	24	50	27	8	6305-ZZ	6204-ZZ	25*40*7	20*30*7	140	95	115	-	M8
	1.5	4	Q3H90L4D	Aluminium	172	344	1xM25	100-125	140	90	223	10	24	50	27	8	6305-ZZ	6205-ZZ	25*40*7	25*40*7	140	95	115	-	M8
	1.5	6	Q3HI00L6D	Aluminium	191	400	1xM25	140	160	100	243	12	28	60	31	8	6306-ZZ	6205-ZZ	30*47*7	30*47*7	160	110	130	-	M8
	2.2	2	Q3H90L2D	Aluminium	172	344	1xM25	100-125	140	90	223	10	24	50	27	8	6305-ZZ	6205-ZZ	25*40*7	25*40*7	140	95	115	-	M8
C	2.2	4	Q3H90L4DE	Aluminium	172	344	1xM25	100-125	140	90	223	10	24	50	27	8	6305-ZZ	6205-ZZ	25*40*7	25*40*7	140	95	115	-	M8
	2.2	4	Q3HS100L4C	Aluminium	172	384	1xM25	140	160	100	233	12	28	60	31	8	6306-ZZ	6205-ZZ	30*47*7	25*40*7	160	110	130	-	M8
	2.2	6	Q3HI12M6D	Aluminium	210	396	1xM25	140	190	112	265	12	28	60	31	8	6306-ZZ	6206-ZZ	30*47*7	30*47*7	160	110	130	-	M8
C	3	2	Q3H90L2E	Aluminium	172	344	1xM25	100-125	140	90	223	10	24	50	27	8	6305-ZZ	6205-ZZ	25*40*7	25*40*7	140	95	115	-	M8
	3	2	Q3HS100L2C	Aluminium	172	349	1xM25	140	160	100	233	12	28	60	31	8	6306-ZZ	6205-ZZ	30*47*7	25*40*7	160	110	130	-	M8
	3	4	Q3HI00L4D	Aluminium	191	400	1xM25	140	160	100	243	12	28	60	31	8	6306-ZZ	6205-ZZ	30*47*7	30*47*7	160	110	130	-	M8
	3	6	Q3HI32S6A	Aluminium	260	481	1xM32	140-178	216	132	312	12	38	80	41	10	6208-ZZ	6208-ZZ	40*62*10	40*62*10	200	130	165	-	M10
C	4	2	Q3HI00L2DE	Aluminium	191	400	1xM25	140	160	100	243	12	28	60	31	8	6306-ZZ	6205-ZZ	30*47*7	30*47*7	160	110	130	-	M8
	4	2	Q3HS112M2C	Aluminium	191	399	1xM25	140	190	112	254	12	28	60	31	8	6306-ZZ	6205-ZZ	30*47*7	25*40*7	160	110	130	-	M8
C	4	4	Q3HI00L4E	Aluminium	191	422	1xM25	140	160	100	243	12	28	60	31	8	6306-ZZ	6205-ZZ	30*47*7	30*47*7	160	110	130	-	M8
	4	4	Q3HI12M4D	Aluminium	210	396	1xM25	140	190	112	265	12	28	60	31	8	6306-ZZ	6206-ZZ	30*47*7	30*47*7	160	110	130	-	M8
	4	6	Q3HI32M6A	Aluminium	260	481	1xM32	140-178	216	132	312	12	38	80	41	10	6208-ZZ	6208-ZZ	40*62*10	40*62*10	200	130	165	-	M10

(1) Tolerance DIN EN 50347 "j6" up to 28mm, "k6" above 28mm

(2) According to DIN 6885

(3) Tolerance DIN EN 50347 "j6"

# IE3 THREE PHASE ALUMINIUM MOTORS



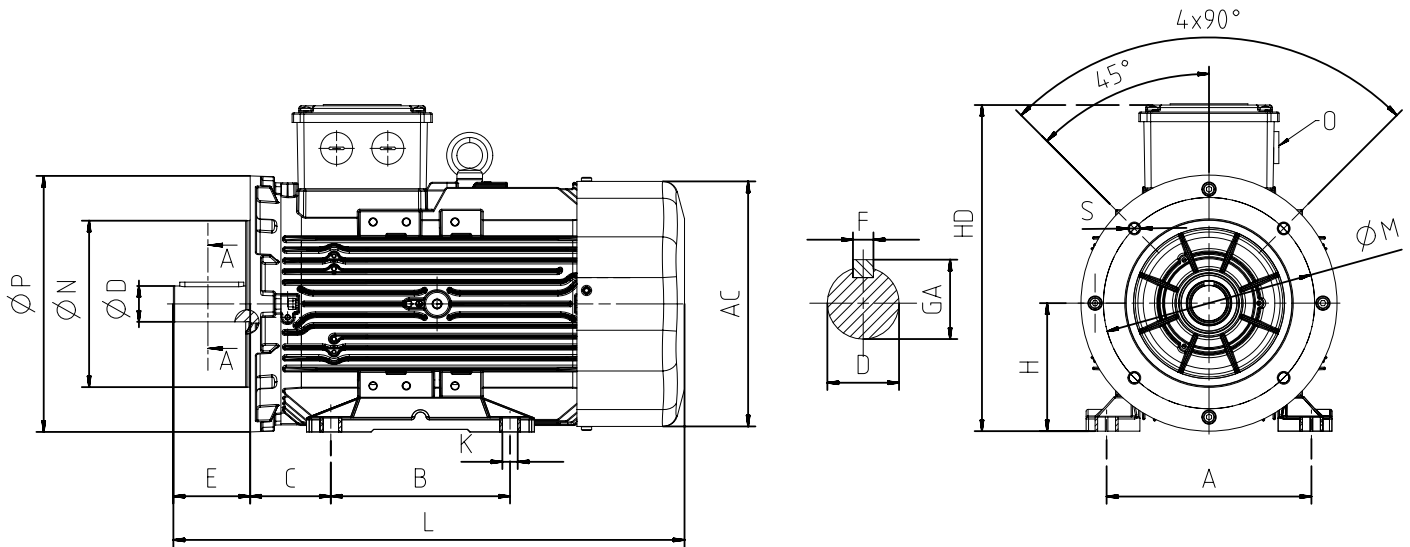
SIZE	Power [kW]	Number of Poles	Motor Type	Housing Type	Main Dimensions			Foot Mounted Motors					Shaft				Bearing		Seal		Flange [FC] [B14a]				
					AC	L	O	B	A	H	HD	K	D <sup>(1)</sup>	E	GA	F <sup>(2)</sup>	Drive Side	Non drive Side	Drive Side	Non drive Side	P	N <sup>(3)</sup>	M	R	S
SC	5.5	2	Q3HI00L2E	Aluminium	192	411	1xM25	140	160	100	243	12	28	60	31	8	6306-ZZ	6205-ZZ	30*47*7	30*47*7	160	110	130	-	M8
C	5.5	2	Q3HI12M2D	Aluminium	210	396	1xM25	140	190	112	265	12	28	60	31	8	6306-ZZ	6206-ZZ	30*47*7	30*47*7	160	110	130	-	M8
	5.5	2	Q3HSI32S2C	Aluminium	210	422	1xM25	140-178	216	132	283	12	38	80	41	10	6208-ZZ	6206-ZZ	40*62*10	30*47*7	200	130	165	-	M10
C	5.5	4	Q3HI12M4E	Aluminium	210	421	1xM25	140	190	112	265	12	28	60	31	8	6306-ZZ	6206-ZZ	30*47*7	30*47*7	160	110	130	-	M8
	5.5	4	Q3HI32S4B	Aluminium	260	481	1xM32	140-178	216	132	312	12	38	80	41	10	6208-ZZ	6208-ZZ	40*62*10	40*62*10	200	130	165	-	M10
	5.5	6	Q3HI32M6B	Aluminium	260	481	1xM32	140-178	216	132	312	12	38	80	41	10	6208-ZZ	6208-ZZ	40*62*10	40*62*10	200	130	165	-	M10
C	7.5	2	Q3HI12M2DE	Aluminium	210	421	1xM25	140	190	112	265	12	28	60	31	8	6306-ZZ	6206-ZZ	30*47*7	30*47*7	160	110	130	-	M8
	7.5	2	Q3HSI32S2D	Aluminium	210	448	1xM25	140-178	216	132	283	12	38	80	41	10	6208-ZZ	6206-ZZ	40*62*10	30*47*7	200	130	165	-	M10
	7.5	4	Q3HI32M4D	Aluminium	260	481	1xM32	140-178	216	132	312	12	38	80	41	10	6208-ZZ	6208-ZZ	40*62*10	40*62*10	200	130	165	-	M10
C	11	2	Q3HI32M2A	Aluminium	260	481	1xM32	140-178	216	132	312	12	38	80	41	10	6208-ZZ	6208-ZZ	40*62*10	40*62*10	200	130	165	-	M10
C	11	4	Q3HI32M4E	Aluminium	260	520	1xM32	140-178	216	132	312	12	38	80	41	10	6208-ZZ	6208-ZZ	40*62*10	40*62*10	200	130	165	-	M10
C	15	2	Q3HI32M2B	Aluminium	260	520	1xM32	140-178	216	132	312	12	38	80	41	10	6208-ZZ	6208-ZZ	40*62*10	40*62*10	200	130	165	-	M10

(1) Tolerance DIN EN 50347 "j6" up to 28mm, "k6" above 28mm

(2) According to DIN 6885

(3) Tolerance DIN EN 50347 "j6"

## DIMENSION - B14b, B34b



SIZE	Power (kW)	Number of Poles	Motor Type	Housing Type	Main Dimensions			Foot Mounted Motors				Shaft			Bearing		Seal		Flange (FB) (B14b)						
					AC	L	O	B	A	H	HD	K	D <sup>(1)</sup>	E	GA	F <sup>(2)</sup>	Drive Side	Non drive Side	Drive Side	Non drive Side	P	N <sup>(3)</sup>	M	R	S
	0.75	2	Q3H80M2C	Aluminium	158	268	1xM20	100	125	80	216	10	19	40	21.5	6	6204-ZZ	6204-ZZ	20*30*7	20*30*7	160	110	130	-	M8
	0.75	4	Q3H80M4D	Aluminium	158	268	1xM20	100	125	80	216	10	19	40	21.5	6	6204-ZZ	6204-ZZ	20*30*7	20*30*7	160	110	130	-	M8
	0.75	6	Q3H90L6C	Aluminium	172	344	1xM25	100-125	140	90	223	10	24	50	27	8	6305-ZZ	6205-ZZ	25*40*7	25*40*7	160	110	130	-	M8
	1.1	2	Q3H80M2D	Aluminium	158	268	1xM20	100	125	80	216	10	19	40	21.5	6	6204-ZZ	6204-ZZ	20*30*7	20*30*7	160	110	130	-	M8
C	1.1	4	Q3H80M4DE	Aluminium	158	268	1xM20	100	125	80	216	10	19	40	21.5	6	6204-ZZ	6204-ZZ	20*30*7	20*30*7	160	110	130	-	M8
	1.1	4	Q3HS90S4C	Aluminium	158	303	1xM25	100-125	140	90	213	10	24	50	27	8	6305-ZZ	6204-ZZ	25*40*7	20*30*7	160	110	130	-	M8
	1.1	6	Q3H90L6D	Aluminium	172	344	1xM25	100-125	140	90	223	10	24	50	27	8	6305-ZZ	6205-ZZ	25*40*7	25*40*7	160	110	130	-	M8
C	1.5	2	Q3H80M2DE	Aluminium	158	268	1xM20	100	125	80	216	10	19	40	21.5	6	6204-ZZ	6204-ZZ	20*30*7	20*30*7	160	110	130	-	M8
	1.5	2	Q3HS90S2C	Aluminium	158	303	1xM25	100-125	140	90	213	10	24	50	27	8	6305-ZZ	6204-ZZ	25*40*7	20*30*7	160	110	130	-	M8
	1.5	4	Q3H90L4D	Aluminium	172	344	1xM25	100-125	140	90	223	10	24	50	27	8	6305-ZZ	6205-ZZ	25*40*7	25*40*7	160	110	130	-	M8
	1.5	6	Q3H100L6D	Aluminium	191	400	1xM25	140	160	100	243	12	28	60	31	8	6306-ZZ	6205-ZZ	30*47*7	30*47*7	200	130	165	-	M10
	2.2	2	Q3H90L2D	Aluminium	172	344	1xM25	100-125	140	90	223	10	24	50	27	8	6305-ZZ	6205-ZZ	25*40*7	25*40*7	160	110	130	-	M8
C	2.2	4	Q3H90L4DE	Aluminium	172	344	1xM25	100-125	140	90	223	10	24	50	27	8	6305-ZZ	6205-ZZ	25*40*7	25*40*7	160	110	130	-	M8
	2.2	4	Q3HS100L4C	Aluminium	172	384	1xM25	140	160	100	233	12	28	60	31	8	6306-ZZ	6205-ZZ	30*47*7	25*40*7	200	130	165	-	M10
	2.2	6	Q3H112M6D	Aluminium	210	396	1xM25	140	190	112	265	12	28	60	31	8	6306-ZZ	6206-ZZ	30*47*7	30*47*7	200	130	165	-	M10
C	3	2	Q3H90L2E	Aluminium	172	344	1xM25	100-125	140	90	223	10	24	50	27	8	6305-ZZ	6205-ZZ	25*40*7	25*40*7	160	110	130	-	M8
	3	2	Q3HS100L2C	Aluminium	172	349	1xM25	140	160	100	233	12	28	60	31	8	6306-ZZ	6205-ZZ	30*47*7	25*40*7	200	130	165	-	M10
	3	4	Q3H100L4D	Aluminium	191	400	1xM25	140	160	100	243	12	28	60	31	8	6306-ZZ	6205-ZZ	30*47*7	30*47*7	200	130	165	-	M10
	3	6	Q3H132S6A	Aluminium	260	481	1xM32	140-178	216	132	312	12	38	80	41	10	6208-ZZ	6208-ZZ	40*62*10	40*62*10	250	180	215	-	M12
C	4	2	Q3H100L2DE	Aluminium	191	400	1xM25	140	160	100	243	12	28	60	31	8	6306-ZZ	6205-ZZ	30*47*7	30*47*7	200	130	165	-	M10
	4	2	Q3HS112M2C	Aluminium	191	399	1xM25	140	190	112	254	12	28	60	31	8	6306-ZZ	6205-ZZ	30*47*7	25*40*7	200	130	165	-	M10
C	4	4	Q3H100L4E	Aluminium	191	422	1xM25	140	160	100	243	12	28	60	31	8	6306-ZZ	6205-ZZ	30*47*7	30*47*7	200	130	165	-	M10
	4	4	Q3H112M4D	Aluminium	210	396	1xM25	140	190	112	265	12	28	60	31	8	6306-ZZ	6206-ZZ	30*47*7	30*47*7	200	130	165	-	M10
	4	6	Q3H132M6A	Aluminium	260	481	1xM32	140-178	216	132	312	12	38	80	41	10	6208-ZZ	6208-ZZ	40*62*10	40*62*10	250	180	215	-	M12

(1) Tolerance DIN EN 50347 "j6" up to 28mm, "k6" above 28mm

(2) According to DIN 6885

(3) Tolerance DIN EN 50347 "j6"