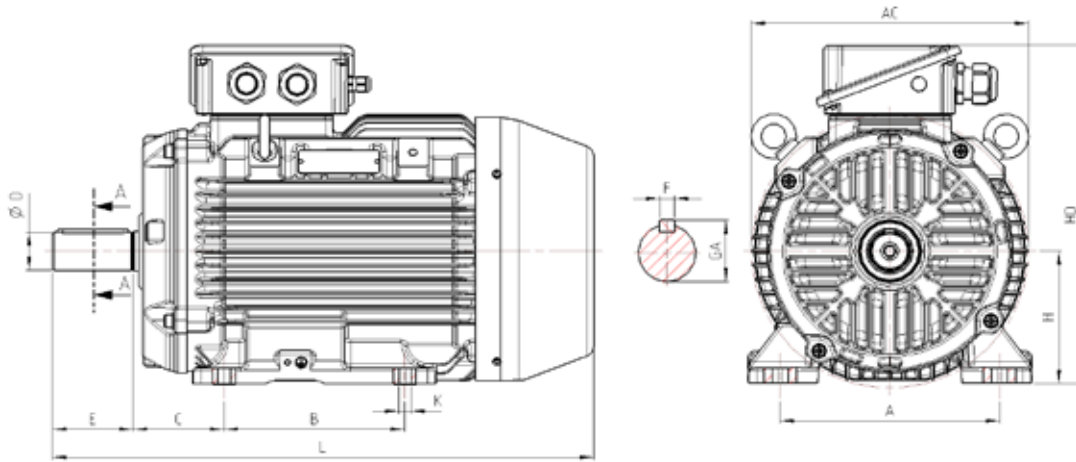


IE3 THREE PHASE CAST IRON MOTORS

DIMENSION - B3



Power [kW]	Number of Poles	Motor Type	Housing Type	Main Dimensions			Foot Mounted Motors						Shaft				Bearing		Seal	
				AC	L	O	B	A	H	HD	K	C	D ⁽¹⁾	E	GA	F ⁽²⁾	Drive Side	Non drive Side	Drive Side	Non drive Side
0.55	4	Q3HG80M4C	Cast Iron	175	282	2xM25	100	125	80	225	10	50	19	40	21.5	6	6204 ZZ	6204 ZZ	20*30*7	20*30*7
0.75	2	Q3HG80M2C	Cast Iron	175	282	2xM25	100	125	80	225	10	50	19	40	21.5	6	6204 ZZ	6204 ZZ	20*30*7	20*30*7
0.75	4	Q3HG80M4D	Cast Iron	175	282	2xM25	100	125	80	225	10	50	19	40	21.5	6	6204 ZZ	6204 ZZ	20*30*7	20*30*7
1.10	2	Q3HG80M2D	Cast Iron	175	317	2xM25	100	125	80	225	10	50	19	40	21.5	6	6204 ZZ	6204 ZZ	20*30*7	20*30*7
1.10	4	Q3HG90L4C	Cast Iron	185	369	2xM25	125	140	90	232	10	56	24	50	27	8	6305 ZZ	6205 ZZ	25*40*7	25*40*7
1.50	2	Q3HG90L2C	Cast Iron	185	339	2xM25	125	140	90	232	10	56	24	50	27	8	6305 ZZ	6205 ZZ	25*40*7	25*40*7
1.50	4	Q3HG90L4D	Cast Iron	185	369	2xM25	125	140	90	232	10	56	24	50	27	8	6305 ZZ	6205 ZZ	25*40*7	25*40*7
2.20	2	Q3HG90L2D	Cast Iron	185	369	2xM25	125	140	90	232	10	56	24	50	27	8	6305 ZZ	6205 ZZ	25*40*7	25*40*7
2.20	4	Q3HG100L4C	Cast Iron	203	416	2xM25	140	160	100	266	12	63	28	60	31	8	6306 ZZ	6306 ZZ	30*47*7	30*47*7
3.00	2	Q3HG100L2D	Cast Iron	203	416	2xM25	140	160	100	266	12	63	28	60	31	8	6306 ZZ	6306 ZZ	30*47*7	30*47*7
3.00	4	Q3HG100L4D	Cast Iron	203	445	2xM25	140	160	100	266	12	63	28	60	31	8	6306 ZZ	6306 ZZ	30*47*7	30*47*7
4.00	2	Q3HG112M2C	Cast Iron	222	434	2xM25	140	190	112	290	12	70	28	60	31	8	6306 ZZ	6306 ZZ	30*47*7	30*47*7
4.00	2	Q3HS112M2C	Cast Iron	205	416	2xM25	140	190	112	283	12	70	28	60	31	8	6306 ZZ	6306 ZZ	30*47*7	30*47*7
4.00	4	Q3HG112M4D	Cast Iron	222	459	2xM25	140	190	112	290	12	70	28	60	31	8	6306 ZZ	6306 ZZ	30*47*7	30*47*7
5.50	2	Q3HS132S2C	Cast Iron	222	471	2xM25	140	216	132	311	12	89	38	80	41	10	6308 ZZ	6306 ZZ	40*62*10	40*62*10
5.50	4	Q3HG132S4B	Cast Iron	273	533	2xM32	178	216	132	337	12	89	38	80	41	10	6308 ZZ	6308 ZZ	40*62*10	40*62*10
7.50	2	Q3HS132S2D	Cast Iron	222	491	2xM25	140	216	132	311	12	89	38	80	41	10	6308 ZZ	6306 ZZ	40*62*10	40*62*10
7.50	4	Q3HG132M4D	Cast Iron	273	533	2xM32	178	216	132	337	12	89	38	80	41	10	6308 ZZ	6308 ZZ	40*62*10	40*62*10
11.00	2	Q3HG160M2C	Cast Iron	328	626	2xM32	210	254	160	387	14.5	108	42	110	45	12	6309 ZZ	6309 ZZ	45*72*10	45*72*10
11.00	2	Q3HS160M2D	Cast Iron	273	563	2xM32	210	254	160	366	14.5	108	42	110	45	12	6309 ZZ	6309 ZZ	45*72*10	45*72*10
11.00	4	Q3HG160M4C	Cast Iron	328	626	2xM32	210	254	160	387	14.5	108	42	110	45	12	6309 ZZ	6309 ZZ	45*72*10	45*72*10
11.00	4	Q3HS160M4C	Cast Iron	273	605	2xM32	210	254	160	366	14.5	108	42	110	45	12	6309 ZZ	6309 ZZ	45*72*10	45*72*10
15.00	2	Q3HG160M2D	Cast Iron	328	626	2xM32	210	254	160	387	14.5	108	42	110	45	12	6309 ZZ	6309 ZZ	45*72*10	45*72*10
15.00	2	Q3HS160M2DE	Cast Iron	273	605	2xM32	210	254	160	366	14.5	108	42	110	45	12	6309 ZZ	6309 ZZ	45*72*10	45*72*10
15.00	4	Q3HG160L4B	Cast Iron	328	626	2xM32	210	254	160	387	14.5	108	42	110	45	12	6309 ZZ	6309 ZZ	45*72*10	45*72*10
18.50	2	Q3HG160L2C	Cast Iron	328	626	2xM32	210	254	160	387	14.5	108	42	110	45	12	6309 ZZ	6309 ZZ	45*72*10	45*72*10
18.50	4	Q3HS180M4B	Cast Iron	328	680	2xM32	241	279	180	407	14.5	121	48	110	51.5	14	6310 ZZ	6310 ZZ	50*80*10	50*80*10
22.00	2	Q3HS180M2B	Cast Iron	328	680	2xM32	241	279	180	407	14.5	121	48	110	51.5	14	6310 ZZ	6310 ZZ	50*80*10	50*80*10
22.00	4	Q3HG180L4B	Cast Iron	356	759	2xM40	279	279	180	441	14.5	121	48	110	51.5	14	6310 ZZ	6310 ZZ	50*80*10	50*80*10
30.00	2	Q3HG200L2C	Cast Iron	356	763	2xM50	305	318	200	458	18.5	133	55	110	59	16	6312 ZZ	6310 ZZ	60*90*10	50*80*10
30.00	4	Q3HG200L4D	Cast Iron	356	816	2xM50	305	318	200	458	18.5	133	55	110	59	16	6312 ZZ	6310 ZZ	60*90*10	50*80*10

(1) Tolerance DIN EN 50347 "j6" up to 28mm, "k6" above 28mm

(2) According to DIN 6885



IE3 THREE PHASE CAST IRON MOTORS

DIMENSION - B3

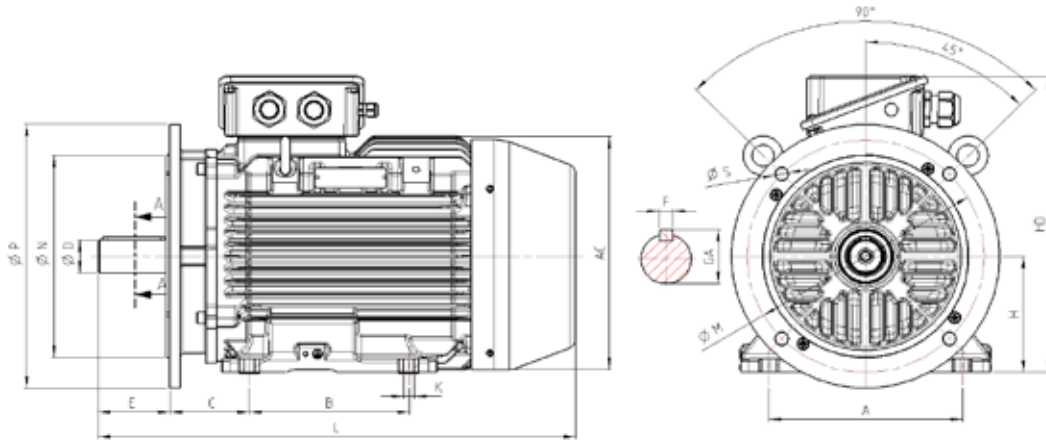
Power [kW]	Number of Poles	Motor Type	Housing Type	Main Dimensions			Foot Mounted Motors						Shaft				Bearing		Seal	
				AC	L	O	B	A	H	HD	K	C	D ⁽¹⁾	E	GA	F ⁽²⁾	Drive Side	Non drive Side	Drive Side	Non drive Side
37.00	2	Q3HG200L2D	Cast Iron	356	763	2xM50	305	318	200	458	18.5	133	55	110	59	16	6312 ZZ	6310 ZZ	60*90*10	50*80*10
37.00	4	Q3HG225S4B	Cast Iron	440	818	2xM50	286	356	225	524	18.5	149	60	140	64	18	6313 ZZ	6313 ZZ	65*100*13	65*100*13
45.00	2	Q3HG225M2B	Cast Iron	440	789	2xM50	311	356	225	524	18.5	149	55	110	59	16	6313 ZZ	6313 ZZ	65*100*13	65*100*13
45.00	4	Q3HG225M4C	Cast Iron	440	883	2xM50	311	356	225	524	18.5	149	60	140	64	18	6313 ZZ	6313 ZZ	65*100*13	65*100*13
55.00	2	Q3HG250M2B	Cast Iron	440	818	2xM50	349	406	250	549	24	168	60	140	64	18	6315 ZZ	6313 ZZ	75*112*12	75*112*12
55.00	4	Q3HG250M4B	Cast Iron	440	883	2xM50	349	406	250	549	24	168	65	140	69	18	6315 ZZ	6313 ZZ	65*100*13	65*100*13
75.00	2	Q3EP280M2C	Cast Iron	489	1025	2xM50	419	457	280	647	24	190	65	140	69	18	6316	6316	80*100*10	80*100*10
75.00	4	Q3EP280M4C	Cast Iron	489	1025	2xM50	419	457	280	647	24	190	75	140	79.5	20	6316	6316	80*100*10	80*100*10
90.00	2	Q3EP280M2D	Cast Iron	489	1025	2xM50	419	457	280	647	24	190	65	140	69	18	6316	6316	80*100*10	80*100*10
90.00	4	Q3EP280M4D	Cast Iron	489	1025	2xM50	419	457	280	647	24	190	75	140	79.5	20	6316	6316	80*100*10	80*100*10
110.00	2	Q3HG315S2D	Cast Iron	638	1070	2xM63	406	508	315	771	28	216	65	140	69	18	6316	6316	72*94*10	72*94*10
110.00	4	Q3HG315S4D	Cast Iron	638	1100	2xM63	406	508	315	771	28	216	80	170	85	22	6319	6319	85*107*10	85*107*10
132.00	2	Q3HG315M2B	Cast Iron	638	1070	2xM63	406	508	315	771	28	216	65	140	69	18	6316	6316	72*94*10	72*94*10
132.00	4	Q3HG315M4B	Cast Iron	638	1100	2xM63	406	508	315	771	28	216	80	170	85	22	6319	6319	85*107*10	85*107*10
160.00	2	Q3HG315L2A	Cast Iron	638	1070	2xM63	406	508	315	771	28	216	65	140	69	18	6316	6316	72*94*10	72*94*10
160.00	4	Q3HG315L4A	Cast Iron	638	1100	2xM63	406	508	315	771	28	216	80	170	85	22	6319	6319	85*107*10	85*107*10
200.00	2	Q3HG315L2C	Cast Iron	638	1070	2xM63	406	508	315	771	28	216	65	140	69	18	6316	6316	72*94*10	72*94*10
200.00	4	Q3HG315L4B	Cast Iron	638	1100	2xM63	406	508	315	771	28	216	80	170	85	22	6319	6319	85*107*10	85*107*10
250.00	2	Q3EP355M2C	Cast Iron	762	1512	4xM63	560	610	355	997	28	254	75	140	80	20	6317	6317	85*105*5.5	85*105*5.5
250.00	4	Q3EP355M4C	Cast Iron	762	1542	4xM63	560	610	355	997	28	254	95	170	100	25	6322	6322	110*130*5.5	110*130*5.5
315.00	2	Q3EP355L2B	Cast Iron	762	1512	4xM63	630	610	355	997	28	254	75	140	80	20	6317	6317	85*105*5.5	85*105*5.5
315.00	4	Q3EP355L4B	Cast Iron	762	1542	4xM63	630	610	355	997	28	254	95	170	100	25	6322	6322	110*130*5.5	110*130*5.5
355.00	2	Q3EP355L2C	Cast Iron	762	1512	4xM63	630	610	355	997	28	254	75	140	80	20	6317	6317	85*105*5.5	85*105*5.5
355.00	4	Q3EP355L4C	Cast Iron	762	1542	4xM63	630	610	355	997	28	254	95	170	100	25	6322	6322	110*130*5.5	110*130*5.5

(1) Tolerance DIN EN 50347 "j6" up to 28mm, "k6" above 28mm

(2) According to DIN 6885

IE3 THREE PHASE CAST IRON MOTORS

DIMENSION - B5, B35



Power [kW]	Number of Poles	Motor Type	Housing Type	Main Dimensions			Foot Mounted Motors					Shaft				Bearing		Seal		Flange [FA B5, B35]					
				AC	L	O	B	A	H	HD	K	C	D	E	GA	F	Drive Side	Non drive Side	Drive Side	Non drive side	P	N ^[3]	M	R	S
0.55	4	Q3HG80M4C	Cast Iron	175	282	2xM25	100	125	80	225	10	50	19	40	21.5	6	6204 ZZ	6204 ZZ	20*30*7	20*30*7	200	130	165	-	12
0.75	2	Q3HG80M2C	Cast Iron	175	282	2xM25	100	125	80	225	10	50	19	40	21.5	6	6204 ZZ	6204 ZZ	20*30*7	20*30*7	200	130	165	-	12
0.75	4	Q3HG80M4D	Cast Iron	175	282	2xM25	100	125	80	225	10	50	19	40	21.5	6	6204 ZZ	6204 ZZ	20*30*7	20*30*7	200	130	165	-	12
1.10	2	Q3HG80M2D	Cast Iron	175	317	2xM25	100	125	80	225	10	50	19	40	21.5	6	6204 ZZ	6204 ZZ	20*30*7	20*30*7	200	130	165	-	12
1.10	4	Q3HG90L4C	Cast Iron	185	369	2xM25	125	140	90	232	10	56	24	50	27	8	6305 ZZ	6205 ZZ	25*40*7	25*40*7	200	130	165	-	13.5
1.50	2	Q3HG90L2C	Cast Iron	185	339	2xM25	125	140	90	232	10	56	24	50	27	8	6305 ZZ	6205 ZZ	25*40*7	25*40*7	200	130	165	-	13.5
1.50	4	Q3HG90L4D	Cast Iron	185	369	2xM25	125	140	90	232	10	56	24	50	27	8	6305 ZZ	6205 ZZ	25*40*7	25*40*7	200	130	165	-	13.5
2.20	2	Q3HG90L2D	Cast Iron	185	369	2xM25	125	140	90	232	10	56	24	50	27	8	6305 ZZ	6205 ZZ	25*40*7	25*40*7	200	130	165	-	13.5
2.20	4	Q3HG100L4C	Cast Iron	203	416	2xM25	140	160	100	266	12	63	28	60	31	8	6306 ZZ	6306 ZZ	30*47*7	30*47*7	250	180	215	-	14.5
3.00	2	Q3HG100L2D	Cast Iron	203	416	2xM25	140	160	100	266	12	63	28	60	31	8	6306 ZZ	6306 ZZ	30*47*7	30*47*7	250	180	215	-	14.5
3.00	4	Q3HG100L4D	Cast Iron	203	445	2xM25	140	160	100	266	12	63	28	60	31	8	6306 ZZ	6306 ZZ	30*47*7	30*47*7	250	180	215	-	14.5
4.00	2	Q3HG112M2C	Cast Iron	222	434	2xM25	140	190	112	290	12	70	28	60	31	8	6306 ZZ	6306 ZZ	30*47*7	30*47*7	250	180	215	-	14.5
4.00	2	Q3HSG112M2C	Cast Iron	205	416	2xM25	140	190	112	283	12	70	28	60	31	8	6306 ZZ	6306 ZZ	30*47*7	30*47*7	250	180	215	-	14.5
4.00	4	Q3HG112M4D	Cast Iron	222	459	2xM25	140	190	112	290	12	70	28	60	31	8	6306 ZZ	6306 ZZ	30*47*7	30*47*7	250	180	215	-	14.5
5.50	2	Q3HSG132S2C	Cast Iron	222	471	2xM25	140	216	132	311	12	89	38	80	41	10	6308 ZZ	6306 ZZ	40*62*10	40*62*10	300	230	265	-	14.5
5.50	4	Q3HG132S4B	Cast Iron	273	533	2xM32	178	216	132	337	12	89	38	80	41	10	6308 ZZ	6308 ZZ	40*62*10	40*62*10	300	230	265	-	14.5
7.50	2	Q3HSG132S2D	Cast Iron	222	491	2xM25	140	216	132	311	12	89	38	80	41	10	6308 ZZ	6306 ZZ	40*62*10	40*62*10	300	230	265	-	14.5
7.50	4	Q3HG132M4D	Cast Iron	273	533	2xM32	178	216	132	337	12	89	38	80	41	10	6308 ZZ	6308 ZZ	40*62*10	40*62*10	300	230	265	-	14.5
11.00	2	Q3HG160M2C	Cast Iron	328	626	2xM32	210	254	160	387	14.5	108	42	110	45	12	6309 ZZ	6309 ZZ	45*72*10	45*72*10	350	250	300	-	18.5
11.00	2	Q3HSG160M2D	Cast Iron	273	563	2xM32	210	254	160	366	14.5	108	42	110	45	12	6309 ZZ	6309 ZZ	45*72*10	45*72*10	350	250	300	-	18.5
11.00	4	Q3HG160M4C	Cast Iron	328	626	2xM32	210	254	160	387	14.5	108	42	110	45	12	6309 ZZ	6309 ZZ	45*72*10	45*72*10	350	250	300	-	18.5
11.00	4	Q3HSG160M4C	Cast Iron	273	605	2xM32	210	254	160	366	14.5	108	42	110	45	12	6309 ZZ	6309 ZZ	45*72*10	45*72*10	350	250	300	-	18.5
15.00	2	Q3HG160M2D	Cast Iron	328	626	2xM32	210	254	160	387	14.5	108	42	110	45	12	6309 ZZ	6309 ZZ	45*72*10	45*72*10	350	250	300	-	18.5
15.00	2	Q3HSG160M2DE	Cast Iron	273	605	2xM32	210	254	160	366	14.5	108	42	110	45	12	6309 ZZ	6309 ZZ	45*72*10	45*72*10	350	250	300	-	18.5
15.00	4	Q3HG160L4B	Cast Iron	328	626	2xM32	210	254	160	387	14.5	108	42	110	45	12	6309 ZZ	6309 ZZ	45*72*10	45*72*10	350	250	300	-	18.5
18.50	2	Q3HG160L2C	Cast Iron	328	626	2xM32	210	254	160	387	14.5	108	42	110	45	12	6309 ZZ	6309 ZZ	45*72*10	45*72*10	350	250	300	-	18.5
18.50	4	Q3HSG180M4B	Cast Iron	328	680	2xM32	241	279	180	407	14.5	121	48	110	51.5	14	6310 ZZ	6310 ZZ	50*80*10	50*80*10	350	250	300	-	18.5
22.00	2	Q3HSG180M2B	Cast Iron	328	680	2xM32	241	279	180	407	14.5	121	48	110	51.5	14	6310 ZZ	6310 ZZ	50*80*10	50*80*10	350	250	300	-	18.5
22.00	4	Q3HG180L4B	Cast Iron	356	759	2xM40	279	279	180	441	14.5	121	48	110	51.5	14	6310 ZZ	6310 ZZ	50*80*10	50*80*10	350	250	300	-	18.5
30.00	2	Q3HG200L2C	Cast Iron	356	763	2xM50	305	318	200	458	18.5	133	55	110	59	16	6312 ZZ	6310 ZZ	60*90*10	50*80*10	400	300	350	-	18.5
30.00	4	Q3HG200L4D	Cast Iron	356	816	2xM50	305	318	200	458	18.5	133	55	110	59	16	6312 ZZ	6310 ZZ	60*90*10	50*80*10	400	300	350	-	18.5
37.00	2	Q3HG200L2D	Cast Iron	356	763	2xM50	305	318	200	458	18.5	133	55	110	59	16	6312 ZZ	6310 ZZ	60*90*10	50*80*10	400	300	350	-	18.5
37.00	4	Q3HG225S4B	Cast Iron	440	818	2xM50	286	356	225	524	18.5	149	60	140	64	18	6313 ZZ	6313 ZZ	65*100*13	65*100*13	450	350	400	-	18.5
45.00	2	Q3HG225M2B	Cast Iron	440	789	2xM50	311	356	225	524	18.5	149	55	110	59	16	6313 ZZ	6313 ZZ	65*100*13	65*100*13	450	350	400	-	18.5
45.00	4	Q3HG225M4C	Cast Iron	440	883	2xM50	311	356	225	524	18.5	149	60	140	64	18	6313 ZZ	6313 ZZ	65*100*13	65*100*13	450	350	400	-	18.5
55.00	2	Q3HG250M2B	Cast Iron	440	818	2xM50	349	406	250	549	24	168	60	140	64	18	6315 ZZ	6313 ZZ	75*112*12	75*112*12	550	450	500	-	18.5
55.00	4	Q3HG250M4B	Cast Iron	440	883	2xM50	349	406	250	549	24	168	65	140	69	18	6315 ZZ	6313 ZZ	65*100*13	65*100*13	550	450	500	-	18.5
75.00	2	Q3EP280M2C	Cast Iron	489	1025	2xM50	419	457	280	647	24	190	65	140	69	18	6316	6316	80*100*10	80*100*10	550	450	500	-	18.5
75.00	4	Q3EP280M4C	Cast Iron	489	1025	2xM50	419	457	280	647	24	190	75	140	79.5	20	6316	6316	80*100*10	80*100*10	550	450	500	-	18.5
90.00	2	Q3EP280M2D	Cast Iron	489	1025	2xM50	419	457	280	647	24	190	65	140	69	18	6316	6316	80*100*10	80*100*10	550	450	500	-	18.5
90.00	4	Q3EP280M4D	Cast Iron	489	1025	2xM50	419	457	280	647	24	190	75	140	79.5	20	6316	6316	80*100*10	80*100*10	550	450	500	-	18.5
110.00	2	Q3HG315S2D	Cast Iron	638	1070	2xM63	406	508	315	771	28	216	65	140	69	18	6316	6316	72*94*10	72*94*10	660	550	600	-	24
110.00	4	Q3HG315S4D	Cast Iron	638	1100	2xM63	406	508	315	771	28	216	80	170	85	22	6319	6319	85*107*10	85*107*10	660	550	600	-	24

(1) Tolerance DIN EN 50347 "j6" up to 28mm, "k6" above 28mm

(2) According to DIN 6885

(3) Tolerance DIN EN 50347 "j6"



IE3 THREE PHASE CAST IRON MOTORS

DIMENSION - B5, B35

Power [kW]	Number of Poles	Motor Type	Housing Type	Main Dimensions			Foot Mounted Motors						Shaft				Bearing		Seal		Flange (FA B5, B35)				
				AC	L	O	B	A	H	HD	K	C	D	E	GA	F	Drive Side	Non drive Side	Drive Side	Non drive side	P	N ⁽³⁾	M	R	S
132.00	2	Q3HG315M2B	Cast Iron	638	1070	2xM63	406	508	315	771	28	216	65	140	69	18	6316	6316	72*94*10	72*94*10	660	550	600	-	24
132.00	4	Q3HG315M4B	Cast Iron	638	1100	2xM63	406	508	315	771	28	216	80	170	85	22	6319	6319	85*107*10	85*107*10	660	550	600	-	24
160.00	2	Q3HG315L2A	Cast Iron	638	1070	2xM63	406	508	315	771	28	216	65	140	69	18	6316	6316	72*94*10	72*94*10	660	550	600	-	24
160.00	4	Q3HG315L4A	Cast Iron	638	1100	2xM63	406	508	315	771	28	216	80	170	85	22	6319	6319	85*107*10	85*107*10	660	550	600	-	24
200.00	2	Q3HG315L2C	Cast Iron	638	1070	2xM63	406	508	315	771	28	216	65	140	69	18	6316	6316	72*94*10	72*94*10	660	550	600	-	24
200.00	4	Q3HG315L4B	Cast Iron	638	1100	2xM63	406	508	315	771	28	216	80	170	85	22	6319	6319	85*107*10	85*107*10	660	550	600	-	24
250.00	2	Q3EP355M2C	Cast Iron	762	1512	4xM63	560	610	355	997	28	254	75	140	80	20	6317	6317	85*105*5.5	85*105*5.5	800	680	740	-	24
250.00	4	Q3EP355M4C	Cast Iron	762	1542	4xM63	560	610	355	997	28	254	95	170	100	25	6322	6322	110*130*5.5	110*130*5.5	800	680	740	-	24
315.00	2	Q3EP355L2B	Cast Iron	762	1512	4xM63	630	610	355	997	28	254	75	140	80	20	6317	6317	85*105*5.5	85*105*5.5	800	680	740	-	24
315.00	4	Q3EP355L4B	Cast Iron	762	1542	4xM63	630	610	355	997	28	254	95	170	100	25	6322	6322	110*130*5.5	110*130*5.5	800	680	740	-	24
355.00	2	Q3EP355L2C	Cast Iron	762	1512	4xM63	630	610	355	997	28	254	75	140	80	20	6317	6317	85*105*5.5	85*105*5.5	800	680	740	-	24
355.00	4	Q3EP355L4C	Cast Iron	762	1542	4xM63	630	610	355	997	28	254	95	170	100	25	6322	6322	110*130*5.5	110*130*5.5	800	680	740	-	24

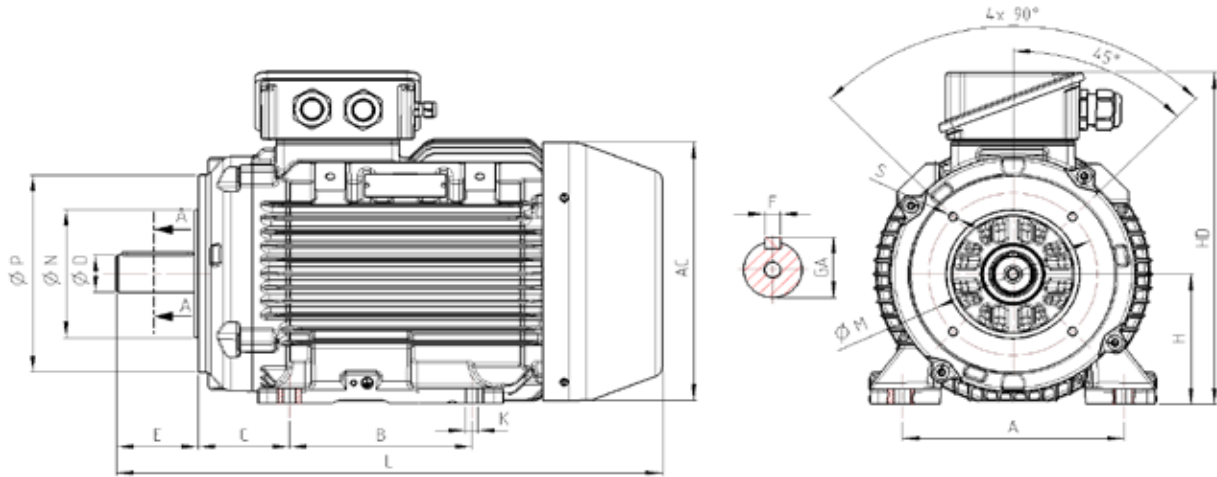
(1) Tolerance DIN EN 50347 "j6" up to 28mm, "k6" above 28mm

(2) According to DIN 6885

(3) Tolerance DIN EN 50347 "j6"

IE3 THREE PHASE CAST IRON MOTORS

DIMENSION - B14b, B34b



Power [kW]	Number of Poles	Motor Type	Housing Type	Main Dimensions			Foot Mounted Motors						Shaft				Bearing		Seal		Flange [FB B14b, B34b]				
				AC	L	O	B	A	H	HD	K	C	D	E	GA	F	Drive Side	Non drive Side	Drive Side	Non drive side	P	N ⁽²⁾	M	R	S
0.55	4	Q3HG80M4C	Cast Iron	175	282	2xM25	100	125	80	225	10	50	19	40	21.5	6	6204 ZZ	6204 ZZ	20*30*7	20*30*7	120	80	100	-	M6
0.75	2	Q3HG80M2C	Cast Iron	175	282	2xM25	100	125	80	225	10	50	19	40	21.5	6	6204 ZZ	6204 ZZ	20*30*7	20*30*7	120	80	100	-	M6
0.75	4	Q3HG80M4D	Cast Iron	175	282	2xM25	100	125	80	225	10	50	19	40	21.5	6	6204 ZZ	6204 ZZ	20*30*7	20*30*7	120	80	100	-	M6
1.10	2	Q3HG80M2D	Cast Iron	175	317	2xM25	100	125	80	225	10	50	19	40	21.5	6	6204 ZZ	6204 ZZ	20*30*7	20*30*7	120	80	100	-	M6
1.10	4	Q3HG90L4C	Cast Iron	185	369	2xM25	125	140	90	232	10	56	24	50	27	8	6305 ZZ	6205 ZZ	25*40*7	25*40*7	140	95	115	-	M8
1.50	2	Q3HG90L2C	Cast Iron	185	339	2xM25	125	140	90	232	10	56	24	50	27	8	6305 ZZ	6205 ZZ	25*40*7	25*40*7	140	95	115	-	M8
1.50	4	Q3HG90L4D	Cast Iron	185	369	2xM25	125	140	90	232	10	56	24	50	27	8	6305 ZZ	6205 ZZ	25*40*7	25*40*7	140	95	115	-	M8
2.20	2	Q3HG90L2D	Cast Iron	185	369	2xM25	125	140	90	232	10	56	24	50	27	8	6305 ZZ	6205 ZZ	25*40*7	25*40*7	140	95	115	-	M8
2.20	4	Q3HG100L4C	Cast Iron	203	416	2xM25	140	160	100	266	12	63	28	60	31	8	6306 ZZ	6306 ZZ	30*47*7	30*47*7	160	110	130	-	M8
3.00	2	Q3HG100L2D	Cast Iron	203	416	2xM25	140	160	100	266	12	63	28	60	31	8	6306 ZZ	6306 ZZ	30*47*7	30*47*7	160	110	130	-	M8
3.00	4	Q3HG100L4D	Cast Iron	203	445	2xM25	140	160	100	266	12	63	28	60	31	8	6306 ZZ	6306 ZZ	30*47*7	30*47*7	160	110	130	-	M8
4.00	2	Q3HG112M2C	Cast Iron	222	434	2xM25	140	190	112	290	12	70	28	60	31	8	6306 ZZ	6306 ZZ	30*47*7	30*47*7	160	110	130	-	M8
4.00	2	Q3HSG112M2C	Cast Iron	205	416	2xM25	140	190	112	283	12	70	28	60	31	8	6306 ZZ	6306 ZZ	30*47*7	30*47*7	160	110	130	-	M8
4.00	4	Q3HG112M4D	Cast Iron	222	459	2xM25	140	190	112	290	12	70	28	60	31	8	6306 ZZ	6306 ZZ	30*47*7	30*47*7	160	110	130	-	M8
5.50	2	Q3HSG132S2C	Cast Iron	222	471	2xM25	140	216	132	311	12	89	38	80	41	10	6308 ZZ	6306 ZZ	40*62*10	40*62*10	300	130	165	-	M10
5.50	4	Q3HG132S4B	Cast Iron	273	533	2xM32	178	216	132	337	12	89	38	80	41	10	6308 ZZ	6308 ZZ	40*62*10	40*62*10	300	130	165	-	M10
7.50	2	Q3HSG132S2D	Cast Iron	222	491	2xM25	140	216	132	311	12	89	38	80	41	10	6308 ZZ	6306 ZZ	40*62*10	40*62*10	300	130	165	-	M10
7.50	4	Q3HG132M4D	Cast Iron	273	533	2xM32	178	216	132	337	12	89	38	80	41	10	6308 ZZ	6308 ZZ	40*62*10	40*62*10	300	130	165	-	M10
11.00	2	Q3HG160M2C	Cast Iron	328	626	2xM32	210	254	160	387	14.5	108	42	110	45	12	6309 ZZ	6309 ZZ	45*72*10	45*72*10	250	180	215	-	M10
11.00	2	Q3HSG160M2D	Cast Iron	273	563	2xM32	210	254	160	366	14.5	108	42	110	45	12	6309 ZZ	6309 ZZ	45*72*10	45*72*10	250	180	215	-	M10
11.00	4	Q3HG160M4C	Cast Iron	328	626	2xM32	210	254	160	387	14.5	108	42	110	45	12	6309 ZZ	6309 ZZ	45*72*10	45*72*10	250	180	215	-	M10
11.00	4	Q3HSG160M4C	Cast Iron	273	605	2xM32	210	254	160	366	14.5	108	42	110	45	12	6309 ZZ	6309 ZZ	45*72*10	45*72*10	250	180	215	-	M10
15.00	2	Q3HG160M2D	Cast Iron	328	626	2xM32	210	254	160	387	14.5	108	42	110	45	12	6309 ZZ	6309 ZZ	45*72*10	45*72*10	250	180	215	-	M10
15.00	2	Q3HSG160M2DE	Cast Iron	273	605	2xM32	210	254	160	366	14.5	108	42	110	45	12	6309 ZZ	6309 ZZ	45*72*10	45*72*10	250	180	215	-	M10
15.00	4	Q3HG160L4B	Cast Iron	328	626	2xM32	210	254	160	387	14.5	108	42	110	45	12	6309 ZZ	6309 ZZ	45*72*10	45*72*10	250	180	215	-	M10
18.50	2	Q3HG160L2C	Cast Iron	328	626	2xM32	210	254	160	387	14.5	108	42	110	45	12	6309 ZZ	6309 ZZ	45*72*10	45*72*10	250	180	215	-	M10

- (1) Tolerance DIN EN 50347 "j6" up to 28mm, "k6" above 28mm
- (2) According to DIN 6885
- (3) Tolerance DIN EN 50347 "j6"